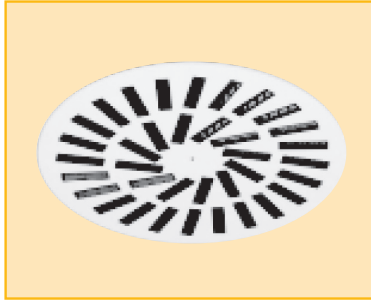


# CIRCULAR SWIRL DIFFUSER WITH ADJUSTABLE AIR PATTERN

## TYPE: WT500S



### Application

The swirl diffuser type WT500S is used for the supply of cooled or heated air in facilities such as offices, shopping centres, schools,...

Diffusers for ceiling or exposed duct mounting.

The diffuser is equipped with adjustable deflectors creating the possibility to obtain an external or internal swirl.

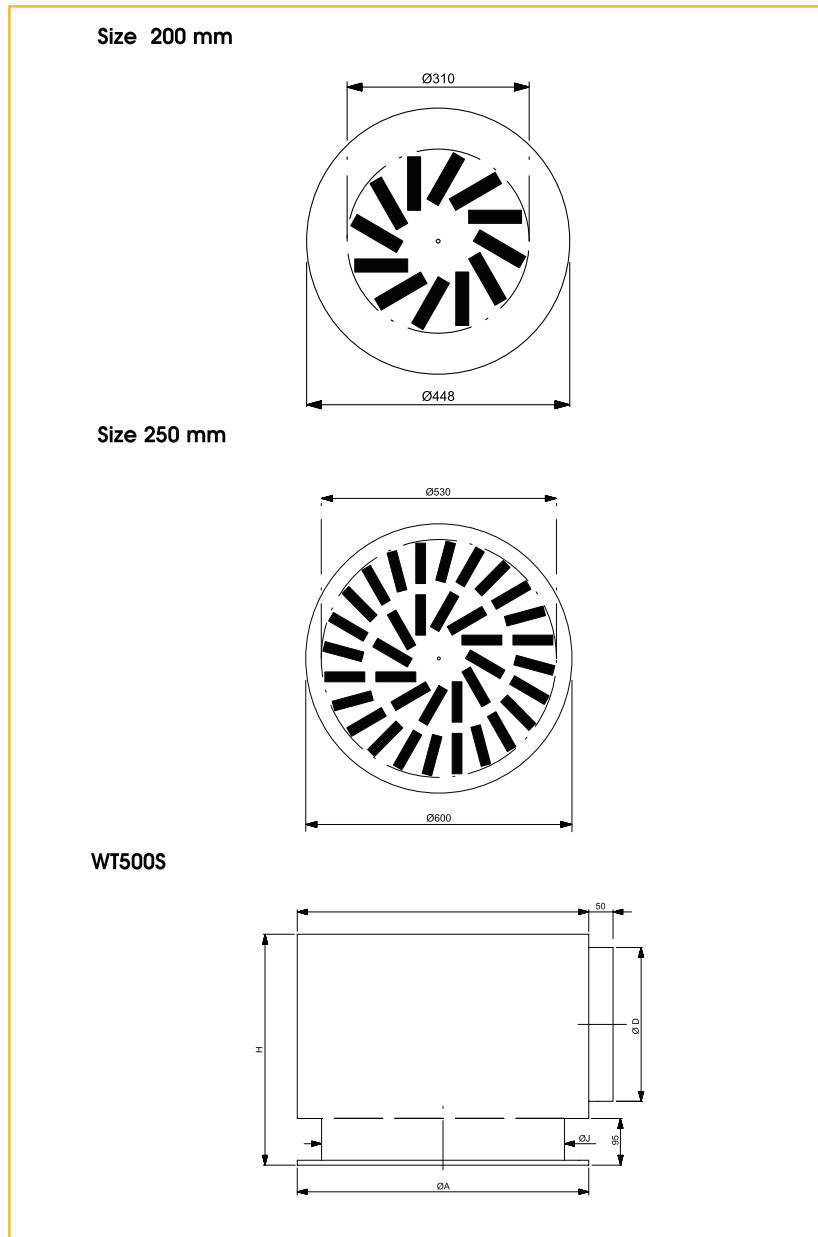
A high induction is obtained by the exceptional swirl discharge which makes them extremely suitable for VAV application.

### Technical information

#### Characteristics :

- Adjustable horizontal and vertical air pattern
- 2,5 < mounting height < 4 m
- **size 200 mm:**  
Single row of deflectors
- **size 250 mm:**  
Through the unique position of the 2 rows of outlet deflectors, an unlimited number of arrangements can be obtained. For example a vertical air discharge through the inner deflectors in combination with an external swirl through the outer deflectors,

### Installation dimensions



Size	Ø A	W	H	Ø D	Ø J
200	448	450 x 472	365	198	310
250	600	600 x 622	405	248	530

All dimensions in mm.

# CIRCULAR SWIRL DIFFUSER WITH ADJUSTABLE AIR PATTERN

## TYPE: WT500S

### Construction:

- steel; painted white (RAL 9010)
- deflectors in black or white extruded pvc
- insulated or not insulated plenum; galvanised sheet steel

### Specifications description

#### Example:

Circular steel diffuser with adjustable air pattern, complete with a plenum box with side entry and damper. The diffuser is painted white (RAL9010).

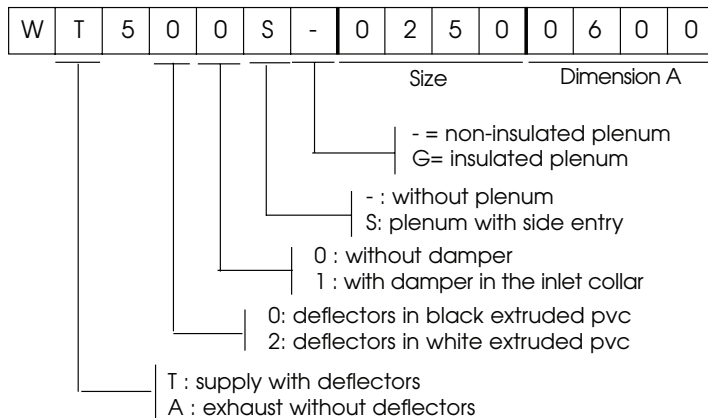
**Type: WT501S**  
size ... / ... mm

### Fixing

- with 4 mounting straps (diffuser fixed to the plenum with central screw)

### How to order

WT500S, diameter 250 mm, size 600 mm with plenum.



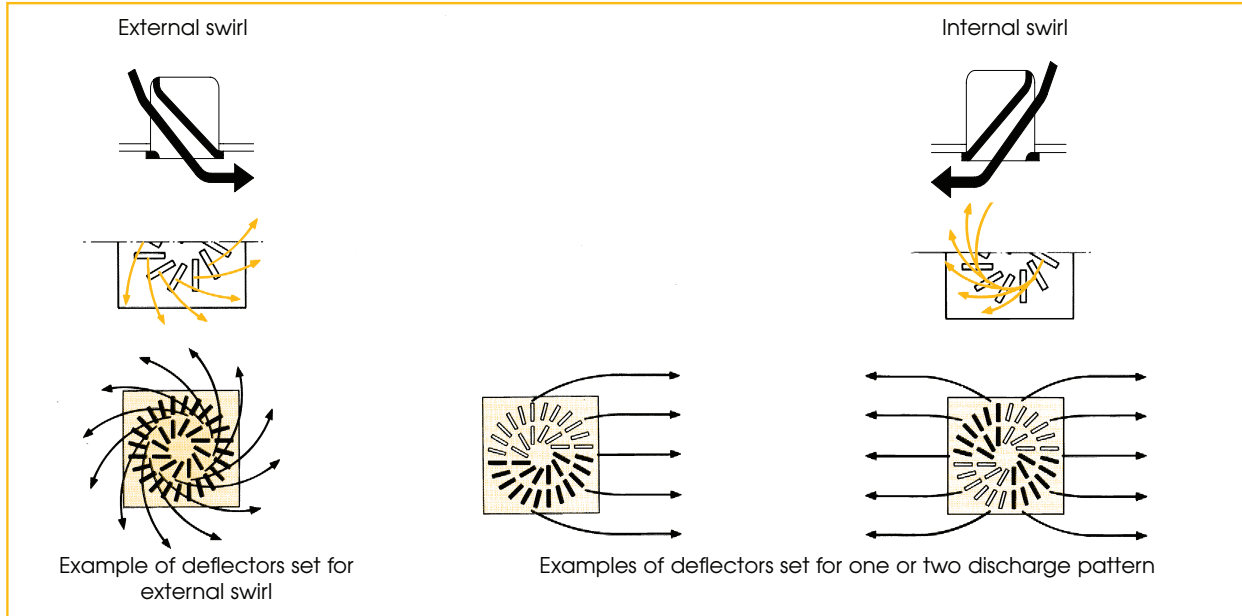
### Options

- **WT500S/WT520S** : swirl diffuser with plenum and side entry
- **WT501S/WT521S** : WT500S/WT520S with damper in side entry
- **WA500S** : WT500S as exhaust diffuser without deflectors
- **WA501S** : WT501S as exhaust diffuser without deflectors and with damper in side entry

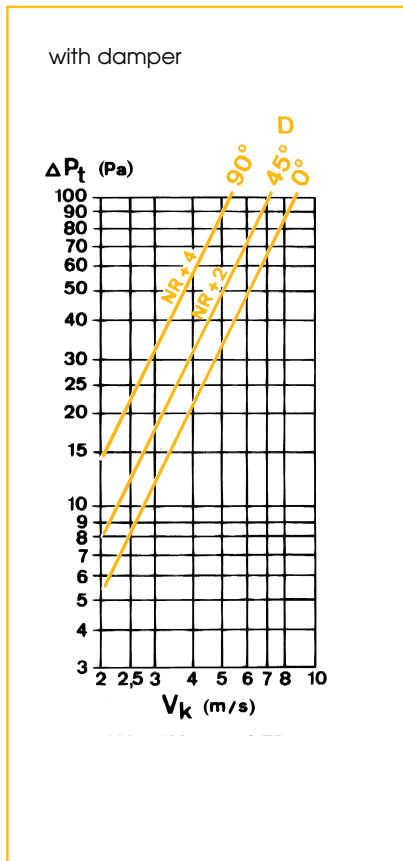
# SWIRL DIFFUSER WITH ADJUSTABLE AIR PATTERN

TYPE: WT100S • WT100T • WT500S

## Installation possibilities



## Pressure loss



## Temperature quotient with ceiling effect

