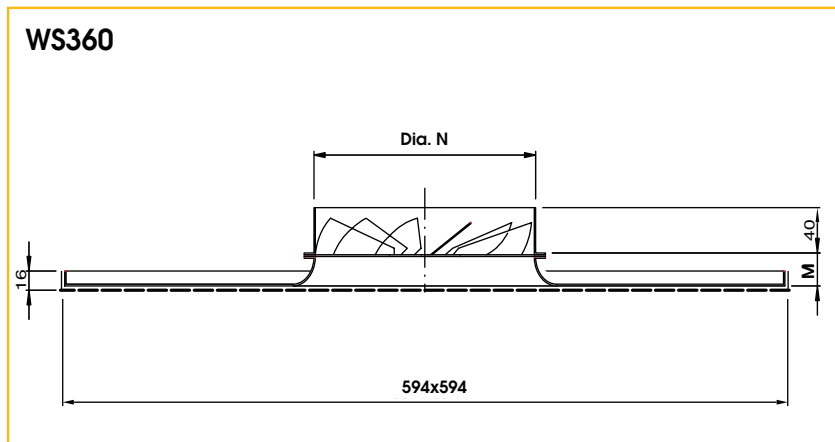


PERFORATED CEILING DIFFUSER WITH SWIRL EFFECT

TYPE: WS360

Installation dimensions



WS360

Size	N	M
125	123	17
160	158	17
200	198	17
250	248	17
315	313	27
400	398	52

WS360S

Size	N	A	B	∅	E
125	123	295	160	98	205
160	158	345	185	123	217
200	198	395	220	158	235
250	248	495	270	198	265
315	313	520	310	248	290
400	398	620	375	313	347

All dimensions in mm.

All units 594 0/ all as standard

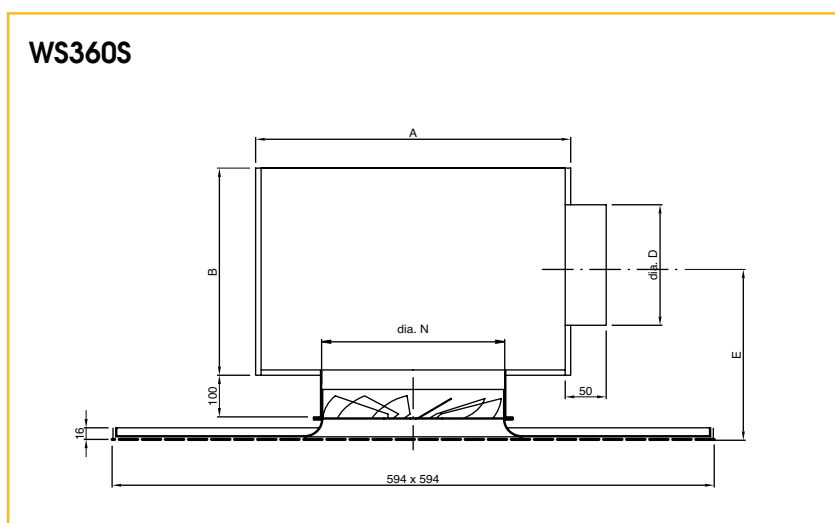
Application

The grille type WS360 can be used for the supply of cooled or heated air in facilities such as offices, stores, schools, ...

The diffuser is equipped with a swirl diffuser with fixed vanes mounted in a square perforated frontplate.

A high induction is obtained by the exceptional swirl effect, which makes them extremely suitable for VAV applications.

The diffuser can be mounted in the ceiling.



Technical information

Characteristics :

- swirl diffuser with perforated sheet steel, horizontal air pattern
- 2,4 m < mounting height < 4 m
- possible in 6 diameters with overall dimensions 594x594 mm
- direct fixing on a circular duct possible

Construction:

- perforated steel plate, painted white (RAL9010)
- swirl + diffusion collar out of sheet steel, painted black (RAL9005)
- insulated or non insulated plenum out of galvanised sheet steel

PERFORATED CEILING DIFFUSER WITH SWIRL EFFECT

TYPE: WS360

Specifications description

Example:

Square steel ceiling diffuser for supply with circular top entry. The perforated frontplate is painted white (RAL9010). The diffuser is painted black (RAL9005).

Type: WS360
size ... mm

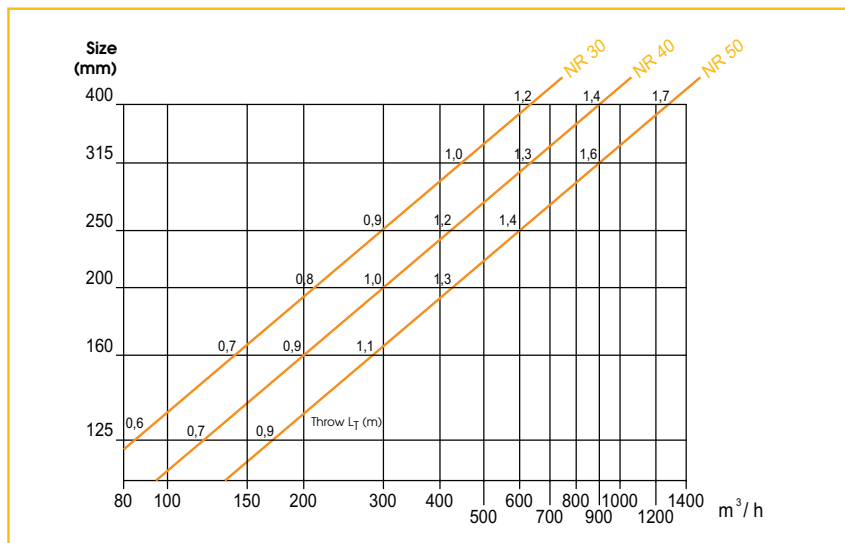
Accessories

DT003: Radial, opposed blade damper. Operated through the diffusion core. Construction out of sheet steel, painted black (RAL 9005).

Fixing

- lay-in on T-profiles in the ceiling

Fast selection diagram



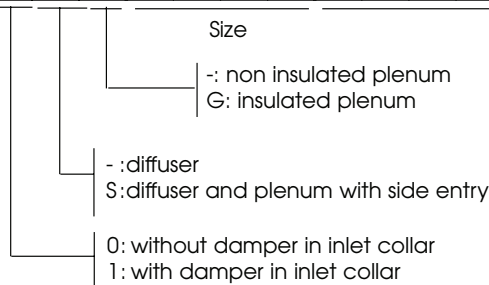
Throw factor is based on a v_R of 0,17 m/s in the occupied zone.
See next page for a detailed selection.

How to order

WS360S size 315x594 mm with damper type DT003 size 315 mm

a) Diffuser

W	S	3	6	0	S	-	0	3	1	5	0	5	9	4
---	---	---	---	---	---	---	---	---	---	---	---	---	---	---



b) Damper

D	T	0	0	3	-	-	0	3	1	5	0	0	0	0
---	---	---	---	---	---	---	---	---	---	---	---	---	---	---

Size

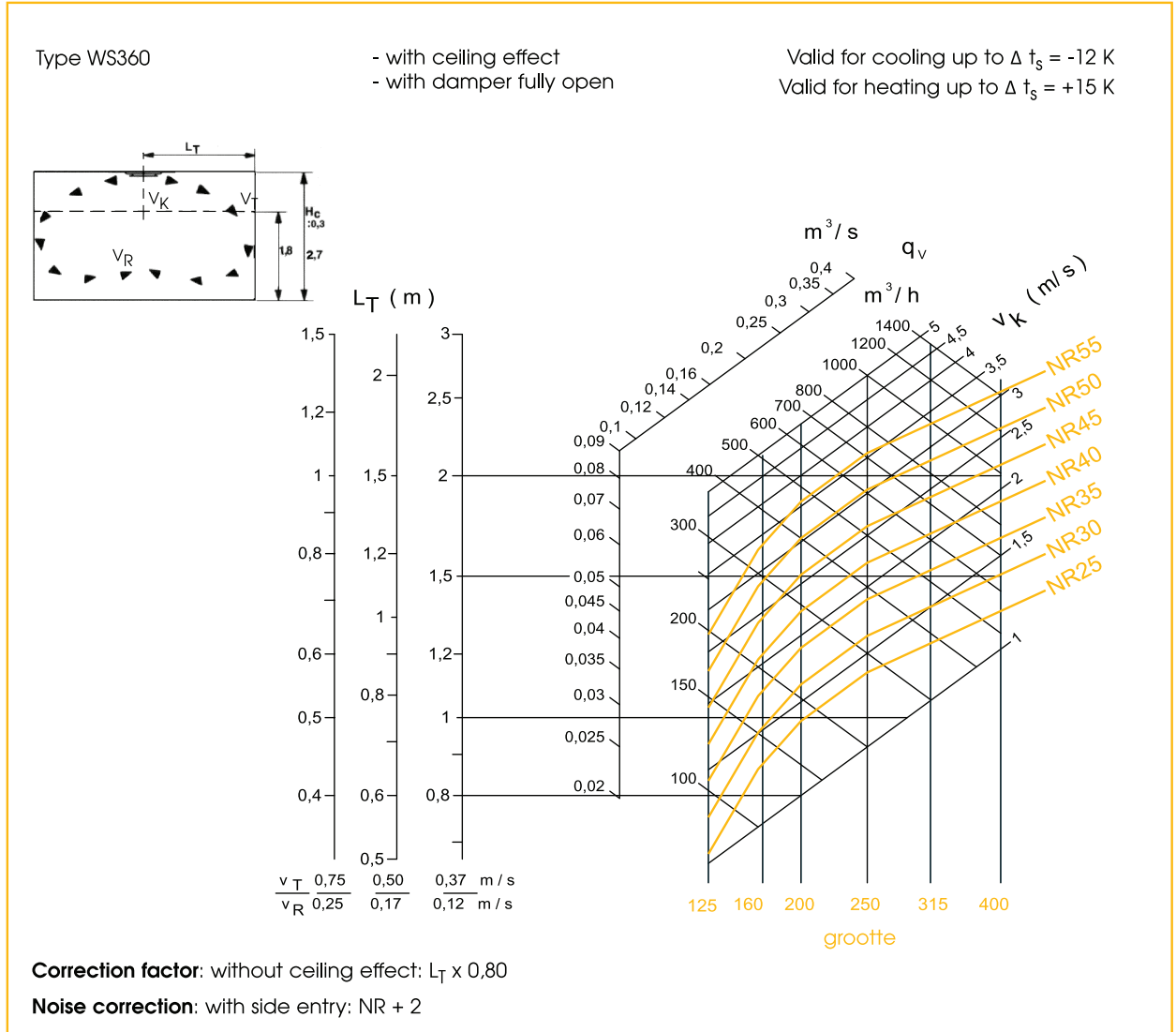
Possible deliveries

- **WS360:** diffuser
- **WS360S:** diffuser with side entry
- **WS360SG:** WS360S with insulated plenum
- **WS361S:** WS360S with damper in the inlet collar
- **WS361SG:** WS361S with insulated plenum

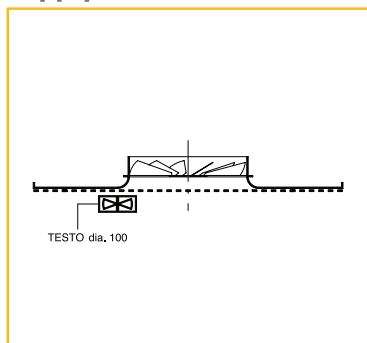
PERFORATED CEILING DIFFUSER WITH SWIRL EFFECT

TYPE: WS360

Selection diagram - supply



Air flow measurement - supply

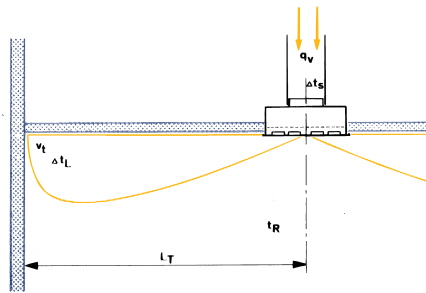


	A_k- values (m²)					
Size	125	160	200	250	315	400
A_k	0,020	0,029	0,035	0,053	0,080	0,127

PERFORATED CEILING DIFFUSER WITH SWIRL EFFECT

PERFORMANCE DATA TYPE: WS360

Example



- Airflow rate : $q_v = 0,07 \text{ m}^3/\text{s}$
- Size 250 mm
- Supply air velocity $v_k = 1,4 \text{ m/s}$
- Throw $L_T = 0,85 \text{ m}$ at $v_T = 0,5 \text{ m/s}$
- Noise level NR 25
- Correction noise level for side entry:
 $\text{NR}25 + 2 = \text{NR}27$
- Total pressure loss with damper 100 %
open: $\Delta p_t = 19 \text{ Pa}$

Pressure loss

with damper

