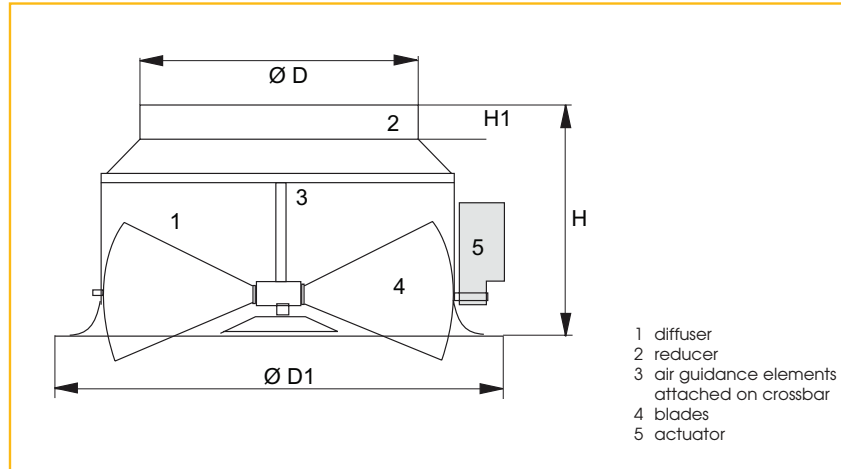


ROUND VARIABLE SWIRL DIFFUSER

TYPE: WR600 • WS600

Installation dimensions



Application

The round Variable swirl diffusers WR600/WS600 is designed for air supply in rooms with floor to ceiling heights 4-12 m, with high induction requirements.

Diffuser is made from nozzle shaped casing, reducer and air guidance elements with 6 blades. Blades turn simultaneously with following type of mechanism: manual, motor driven en thermostat element.

Thermostat element has operating range between 15°-30°C. Thermostat adjust blade angle according to the temperature of supply air. Blade angle is factory preadjusted so that the temperature of supply air 30°C angle is 90°, at temperature 20°C angle is 35°.

Advantages: no additional power supply and controls are required, so no additional wiring installation is needed. Blade angle according to the supply air is always optimal.

	Ø D	Ø D ₁	H	H ₁
125	123	205	130	40
160	158	250	155	40
200	198	310	174	40
250	248	400	200	40
315	313	480	240	40
400	398	615	265	60
500	498	790	320	60
630	623	940	380	80
800	798	1142	555	75

All dimensions in mm

Technical information

- steel and aluminium combination
- painted white (RAL9010)
- manually adjustable blades with β = blade angle
- optional: perforated plate in the collar of the diffuser

How to order

WR620, size 250 mm

W	R	6	2	0	B	3	0	2	5	0	-	-	-	-
---	---	---	---	---	---	---	---	---	---	---	---	---	---	---

size

- 610: manual
- 620B1: with motor LM220V, continous
- 620B2: with motor LM220V, 2 positions
- 620B3: with motor LM24V, continous
- 620B4: with motor LM24V, 2 positions
- 630: thermostatically controlled

WR: Round variable swirl diffuser

WS: Round variable swirl diffuser in square plate

ROUND VARIABLE SWIRL DIFFUSER

TYPE: WR600 • WS600

Quick selection

	Type	125	160	200	250	315	400	500	630	800	
	Aeff	0,01	0,02	0,03	0,05	0,08	0,12	0,20	0,31	0,50	
100	veff	2,40	1,30								
	Ps	13	4,50								
	Lth	1,40	1								
	Lw	35	25								
200	veff	4,30	2,60	1,80							
	Ps	40	18	7							
	Lth	2,80	1,70	1,80							
	Lw	50	37	28							
300	veff		4,10	2,60	1,70						
	Ps		37	17	7						
	Lth		2,80	2	1,60						
	Lw		49	37	28						
400	veff			3,50	2,20						
	Ps			28	13						
	Lth			2,80	2						
	Lw			45	35						
500	veff				2,80	1,70					
	Ps				18	8					
	Lth				2,70	2					
	Lw				38	28					
700	veff				4	2,50	1,50				
	Ps				38	18	7				
	Lth				3,60	2,70	2				
	Lw				48	37	28				
1000	veff					3,60	2,20	1,40			
	Ps					29	10	5			
	Lth					4	2,30	1,90			
	Lw					47	33	25			
1500	veff						3,30	2,10			
	Ps						24	12			
	Lth						4,30	2,80			
	Lw						43	33			
2000	veff							4,50	2,80	1,70	
	Ps							40	18	8	
	Lth							5	4,10	3	
	Lw							49	37	29	
3000	veff								3,80	2,70	1,70
	Ps								32	17	7
	Lth								5,60	4,50	3,50
	Lw								47	37	28
5000	veff									4,50	2,70
	Ps									40	18
	Lth									7	5,30
	Lw									50	38
7000	veff										4
	Ps										38
	Lth										7,50
	Lw										48

ROUND VARIABLE SWIRL DIFFUSER

TYPE: WR600 • WS600

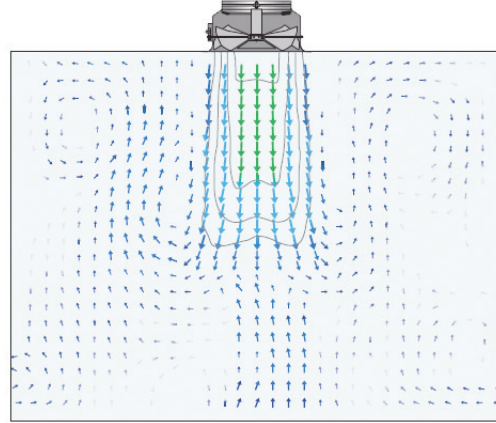
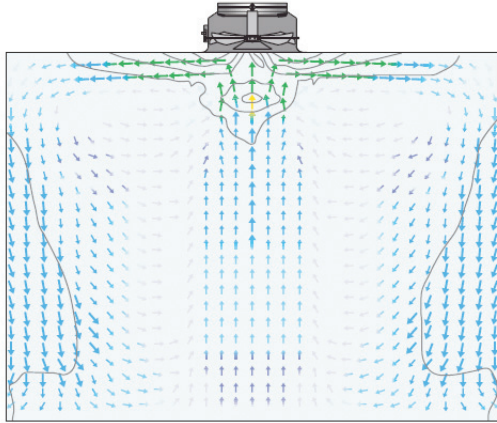


Fig. A

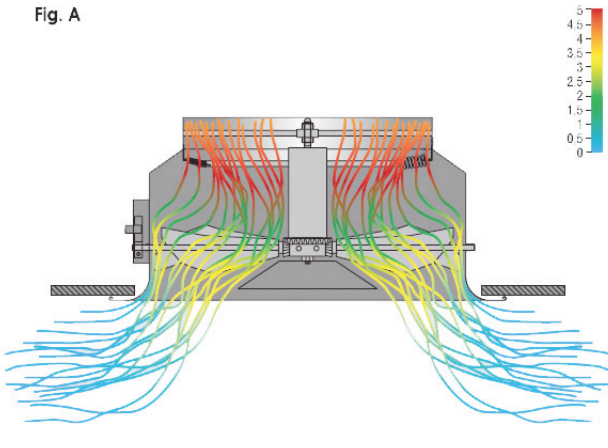


Fig. B

