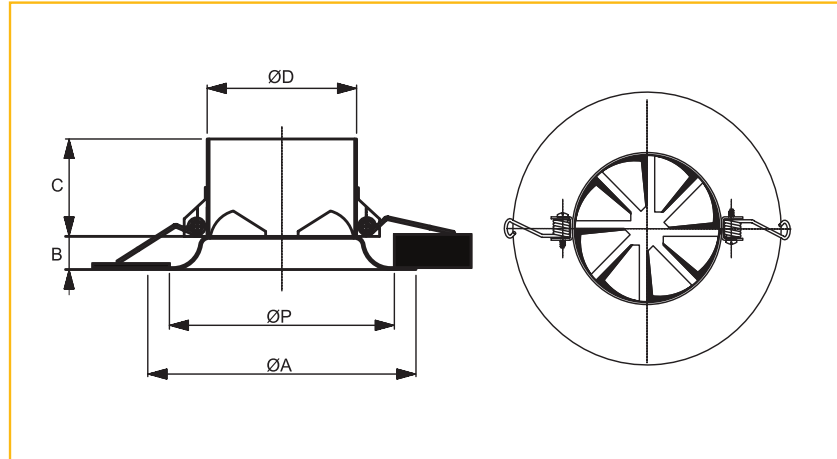
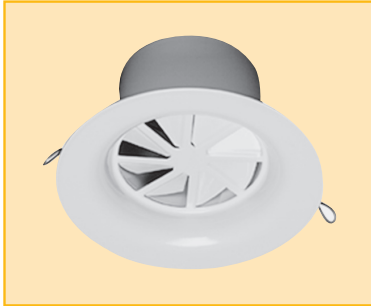


# CIRCULAR SWIRL DIFFUSER

## TYPE: WR250

### Installation dimensions



### Application

The swirl diffuser type WR250 is used for the supply of cooled and heated air in facilities such as offices, shopping centres, schools, ... Diffuser especially designed for system ceiling mounting. The friction springs and the small overall dimension ( $\Delta A$ ) offer extremely easy mounting and a perfect integration in system ceilings. Suitable for ceiling sheets with thickness between 1,5 and 20 mm. Fixed horizontal air pattern.

Size	Ø A	Ø D	Ø P	B	C
<b>63</b>	98	61	91	15	40
<b>80</b>	140	78	115	17	50
<b>100</b>	160	98	130	17	50
<b>125</b>	200	123	170	25	30

$\Delta P$  = minimal ceiling opening. All dimensions in mm.

### Technical information

#### Construction:

- steel, painted white (RAL 9010)
- available with 4 dimensions 63, 80, 100 and 125 mm

### Specifications description

#### Example:

Circular swirl diffuser for small air volumes with a horizontal air flow pattern, complete with friction springs. The diffuser is painted white (RAL 9010).

**Type:** WR250  
size ... mm

### Delivery possibilities

**WR250:** circular swirl diffuser with friction springs

### Fixing

- diameter 63, 80 and 100 mm: fixing with 2 friction springs
- diameter 125 mm fixing with 3 friction springs

### Selection table - supply

Size	qv (m <sup>3</sup> /h)	$\Delta p_f$ (Pa)	L <sub>w</sub> (NR)	L <sub>T</sub> (m)
63	25	63	35	0,80
80	25	29	28	0,45
80	35	41	32	0,60
100	50	24	28	0,75
100	75	60	35	1,15
125	90	28	30	0,55
125	120	40	35	0,75

Throw factor is based on a  $v_T$  of 0,5 m/s

# CIRCULAR SWIRL DIFFUSER

**TYPE:** WR250

## Specifications description

**Example:**

Circular swirl diffuser for small air volumes with a horizontal air flow pattern, complete with friction springs. The diffuser is painted white (RAL 9010).

**Type:** **WR250**  
size ... mm

## Delivery possibilities

**WR250:** circular swirl diffuser with friction springs

## Fixing

- diameter 63, 80 and 100 mm: fixing with 2 friction springs
- diameter 125 mm fixing with 3 friction springs

## How to order

WR250 size 100 mm.

W	R	2	5	0	-	-	0	1	0	0	0	0	0	0
---	---	---	---	---	---	---	---	---	---	---	---	---	---	---

size