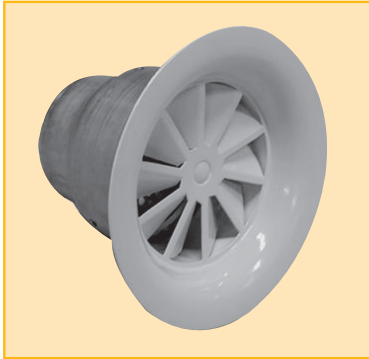


ROUND SWIRL DIFFUSER WITH TRANSITION PIECE

TYPE: WR230 • WP270T



Application

The swirl diffuser type WR230 is used for the supply of cooled and heated air in facilities such as offices, shopping centres, schools, ...

Diffuser for ceiling or exposed duct mounting. The diffuser is equipped with fixed vanes in a round front sheet. A high induction is obtained because of the exceptional swirl discharge, which makes them very suitable for VAV applications from 100 % down to 25 %.

The swirl diffusers are universally applicable. Thanks to the simple assembly to the transition piece and the restricted outer dimensions, this grating is ideal for the supply of fresh air in cooling ceilings.

Technical information

Characteristics:

- available with outer dimensions 100, 125 and 160 mm (see drawings)
- transition piece available with 3 connection diameters: 80, 100 and 125 mm
- 2,4 m < installation height < 4 m
- diffuser with central screw fixing which can be dismantled from plenum or transition piece
- suitable for ceilings of 1 to 20 mm thick

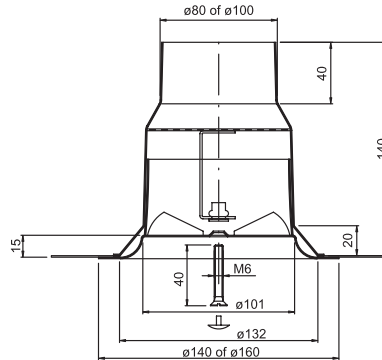
Construction:

WR230:
steel painted white RAL 9010

WP270T:
galvanised unpainted steel

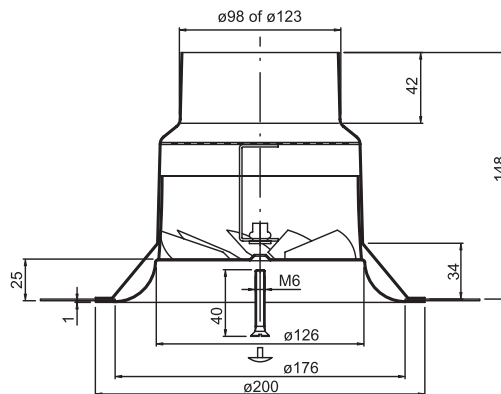
Installation dimensions

WR230 + WP270T - size 100 mm



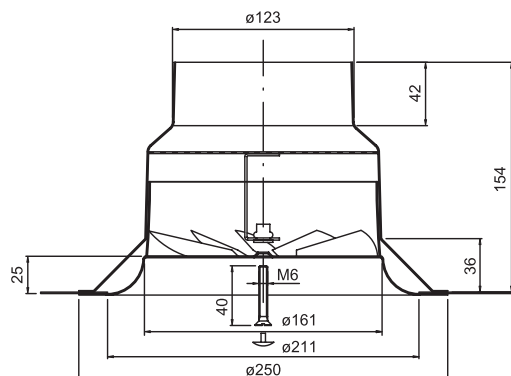
WR230 with outside dimension 140 or 160 mm
WP270T with connection diameter 80 or 100 mm

WR230 + WP270T - size 125 mm



WR230 with outside dimension 200 mm
WP270T with connection diameter 100 or 125 mm

WR230 + WP270T - size 160 mm



WR230 with outside dimension 215 or 250 mm
WP270T with connection diameter 125 mm

Alle dimensions in mm

ROUND SWIRL DIFFUSER WITH TRANSITION PIECE

TYPE: WR230 • WP270T

Specifications description

Example:

Circular steel swirl diffuser with fixed vanes for small air volumes. Provided with central screw with cap and transition piece.

The diffuser is painted white (RAL 9010)

Type: WR230 + WP270T
Size ... mm

Delivery possibilities

WR230:
round swirl diffuser with central screw and cap.

WP270T:
transition piece

Fixing

Easy fixing using the central screw on the transition piece WP270T.

The ceiling can be clasped between the grill and the transition piece.

Selection table - supply

Size	q _v (m ³ /h)	Δp _t (Pa)	L _w (NR)	L _T (m)
100	40	15	23	0,4
100	50	24	28	0,75
100	75	60	33	1,15
125	70	14	23	0,4
125	90	20	28	0,5
125	115	28	33	0,65
160	100	10	23	0,45
160	130	18	28	0,55
160	160	28	33	0,75

L_T current for v_T = 0,5 m/s