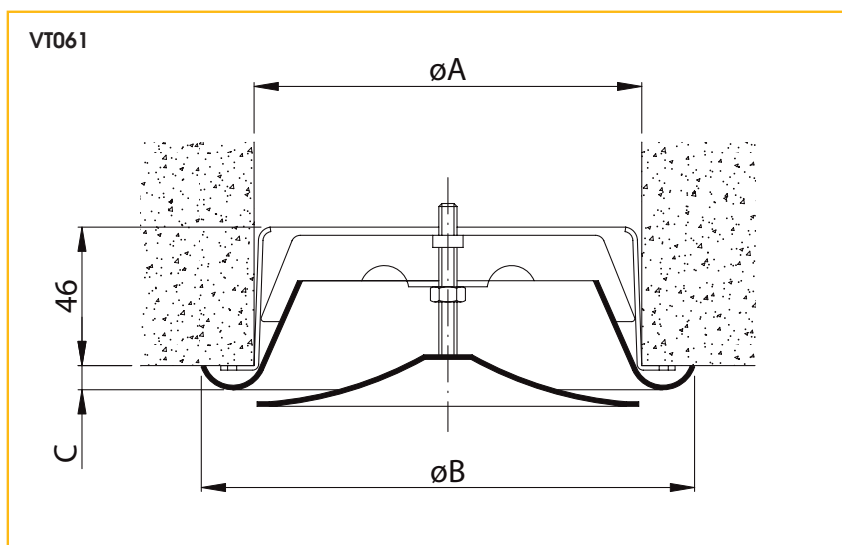
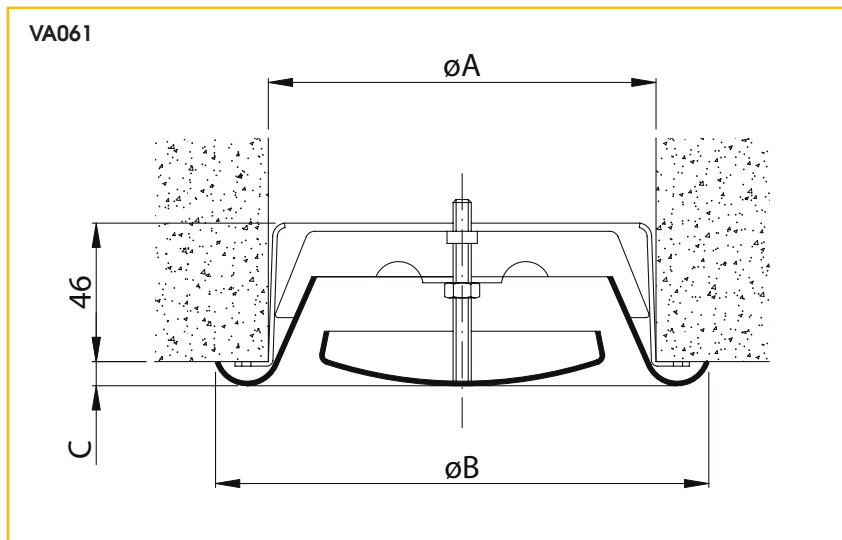


VALVES

TYPE: V-061

Installation dimensions



Application

The V-060 valves are used for air exhaust and/or supply in ventilation-systems. They can be mounted in a wall, a ceiling or beneath exposed air ducts. Their principal field of application are offices, hospitals, nursing-homes and hotels. The removable interior and the smooth surface make the valve easy to clean.

Technical information

Characteristics

- **VT:** central disc attached to a threaded rod
- **VA:** the disc is placed in a conical ring and attached to a threaded rod
- easy air flow adjustment by continuous regulation
- easy to clean

Construction

VA/VT: steel sheet, painted white (RAL 9010), mounting ring in galvanised steel sheet

Size	100	125	160	200
Ø A	100	125	160	200
Ø B	135	165	200	250
C	10	10	10	12

All dimensions in mm

VALVES

TYPE: V-061

Specifications description

Example:

Circular steel valve for air exhaust made out of white polypropylene with adjustable interior for the regulation of the air flow.

The desired position can be locked by means of a counter nut. Interior is removable from mounting ring.

Type: VA061
Size ... mm

Fixing

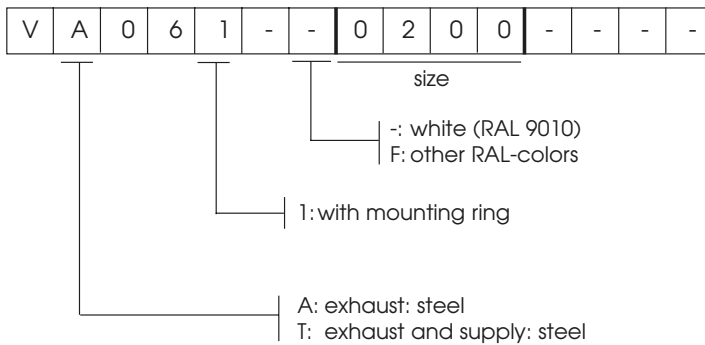
- **VA/VT:** direct fixing into the duct by means of friction springs or with the mounting ring. First the mounting ring has to be fixed into the duct outlet before the valve is pushed into the ring.
- Airflow adjustment by turning the central disc. Once the adjustment is made, lock the disc by means of the counter nut at the back.

Delivery possibilities

- **VA061:** steel exhaust valve with mounting ring
- **VT061:** steel supply and exhaust valve with mounting ring

How to order

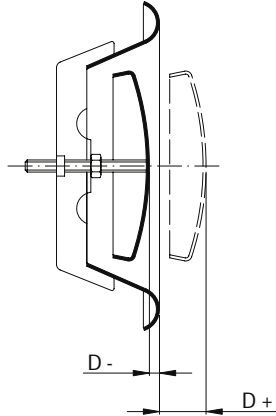
VA061 with mounting ring, size 200 mm



VALVES

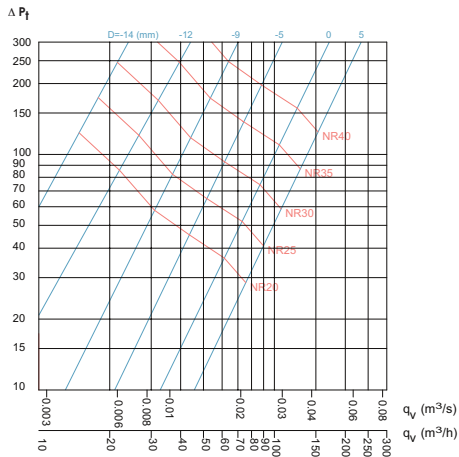
TYPE: VA061

Selection diagram - exhaust

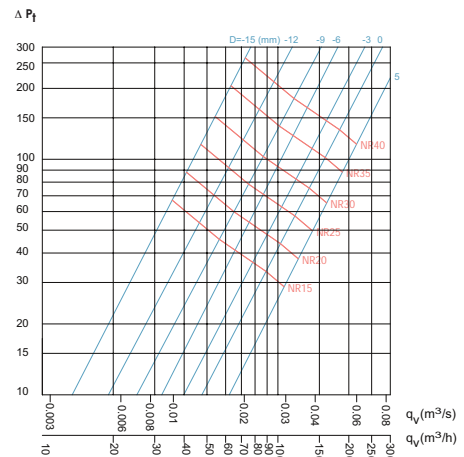


D = opening for air in mm

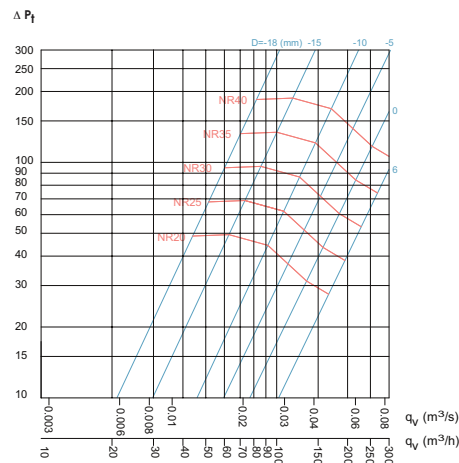
Size 100 mm



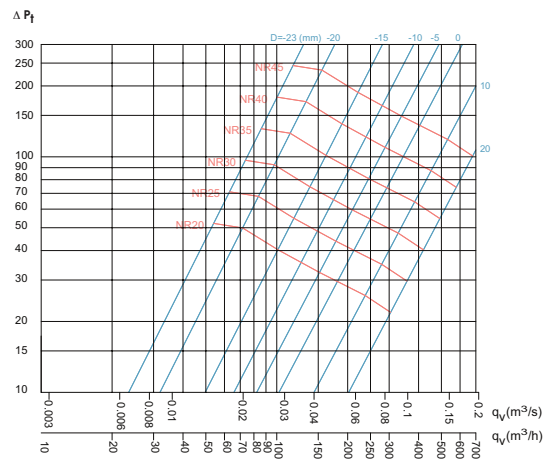
Size 125 mm



Size 160 mm

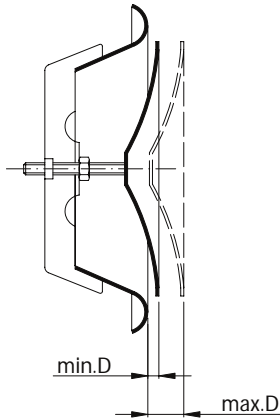


Size 200 mm



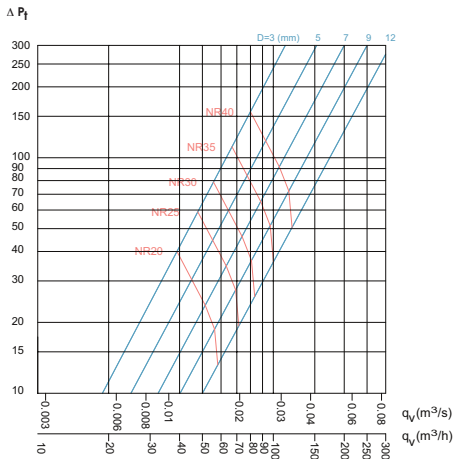
VALVES
TYPE: VT061

Selection diagram - supply

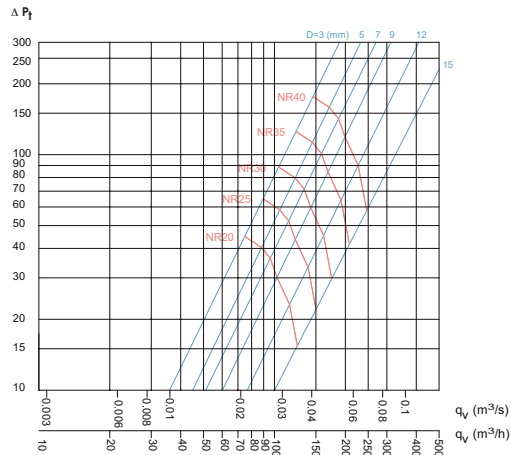


D = opening for air in mm

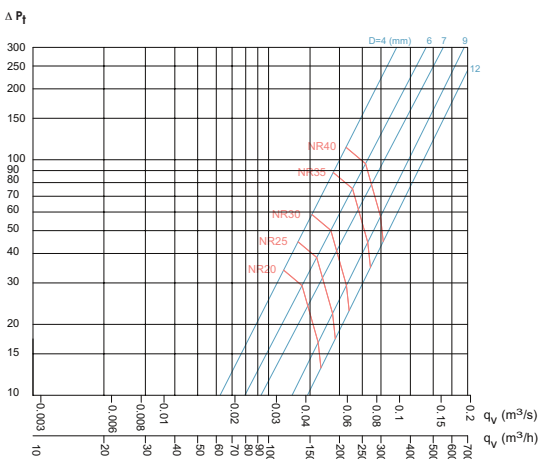
Size 100 mm



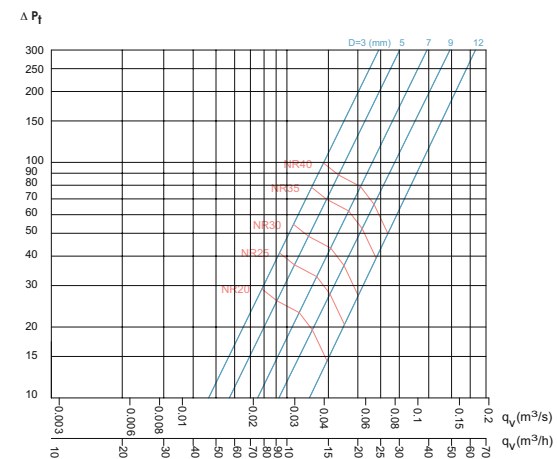
Size 125 mm



Size 160 mm



Size 200 mm



AIR EXHAUST FIRE DAMPER VALVE

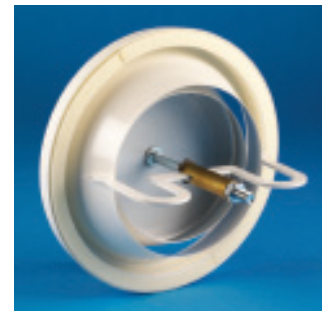
TYPE: VF061



Model KSO-P is a combination fire damper and air valve for exhaust air ventilation systems.

The damper blade will close when the temperature in the vicinity of the valve reaches the fusible link rating - standard temperature 70°C. (Alternative release temperatures of 50°C and 100°C available to special order).

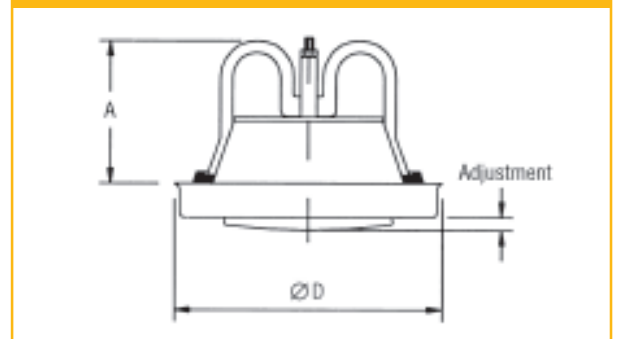
Adjustment of the airflow is simple, the inner cone being rotated to the required setting and locked in position with a single nut. Each air valve is supplied complete with a mounting ring from which it can be simply removed for cleaning without affecting the setting of the valve.



Sizes

The Model KSO-P is manufactured in five sizes, 100, 125, 150, 160, and 200mm (external diameter of mounting ring).

VF061 Air Exhaust Fire Damper Valve



Product	ø D (mm)	A (mm)	Weight (g)
KSO-P 100	134	74	305
KSO-P 125	160	85	390
KSO-P 150	191	89	575
KSO-P 160	191	89	575
KSO-P 200	241	107	765

Plastic supply and extract valves are also available.