

SQUARE DIFFUSER

TYPE: TS600 • TS700

Installation dimensions

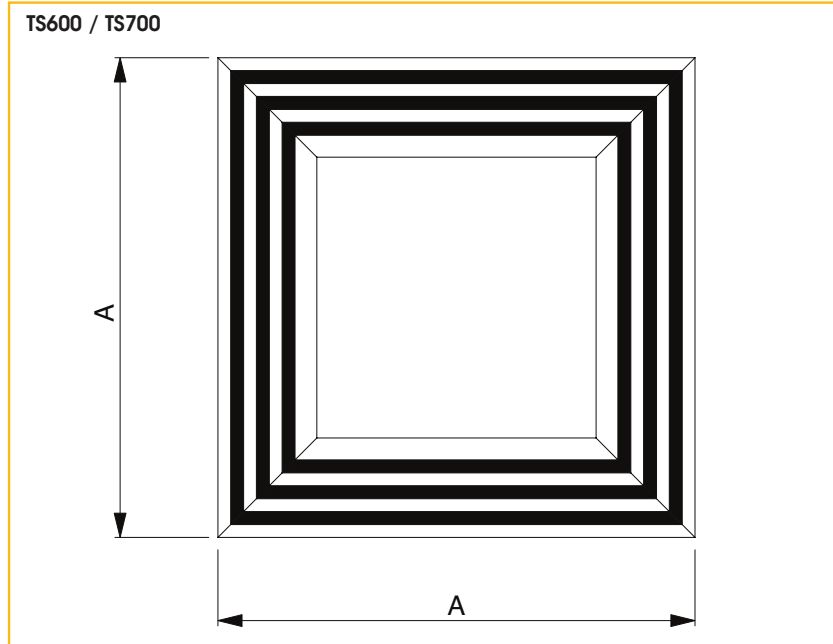


Application

The TS600/700 slot diffuser is suitable for the supply and exhaust of both heated and chilled air in offices, conference halls and shops.

The specially designed baffles ensure a fixed horizontal diffusion pattern on all four sides without internal turbulence.

The frame of the diffuser can be adjusted to the ceiling.



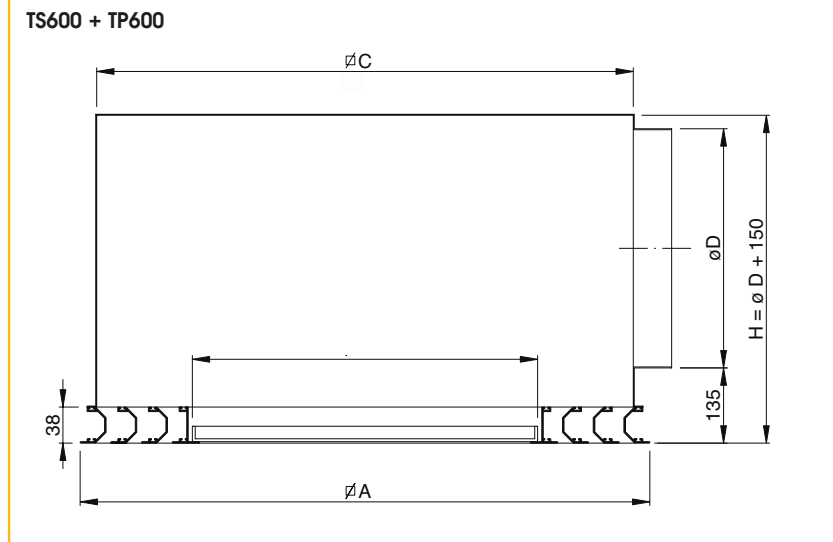
Technical Information

Characteristics:

- Delivery: can be supplied with up to 4 slots on the four sides of the diffuser, fixed horizontal diffusion pattern
- The diffuser is provided with a plenum, with optional insulation, and can be fitted with a volume control in the intake

Construction:

- Combined aluminium and steel ceiling diffuser, painted white (RAL 9010)
- **TS600:** fixed core
- **TS700:** hinged core and push-pull lock
- galvanised steel sheet plenum



Nominal dimension: 594 x 594 mm

	A	B	C
TS601	594	488	560
TS602	594	424	560
TS603	594	360	560
TS604	594	296	560

Nominal dimension: 670 x 670 mm

	A	B	C
TS601	670	564	636
TS602	670	500	636
TS603	670	436	636
TS604	670	372	636

ø D = diameter 80-100-125-160-200-250-315mm
All dimensions in mm

SQUARE DIFFUSER

TYPE: TS600 • TS700

Selection diagram

