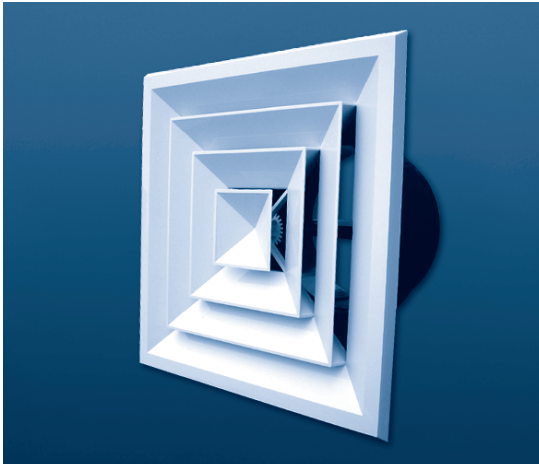


PMC RANGE DESCRIPTION



DESCRIPTION

The PMC Range has been designed to provide a versatile and practical louvre grille. Designed with a purpose built integrated neck adaptor it can be manufactured to incorporate an air volume control balancing damper within the neck assembly.

A simple rotation of the grille centre engages the air volume damper allowing for adjustment of air flow from within the room.

Fixed spring loaded mounting clips allow for ease of installation, once the access hole is cut the unit is simply inserted and the clips engage automatically. Manufactured from ABS material the PMC Grille will not corrode, fade or discolour and is highly suitable for domestic installations.

DESCRIPTION	CODE
350 sq. FACE/200Ø - 250Ø WITH DAMPER	231001
350 sq. FACE/250Ø - 250Ø NO DAMPER	231000
250 Neck	231093
Control Wand Tip	231002

APPLICATION SELECTOR

AVAIR CEILING GRILLES	
RESIDENTIAL	HIGHLY RECOMMENDED
COMMERCIAL	NOT RECOMMENDED
EXHAUST	NOT RECOMMENDED
REVERSE CYCLE	HIGHLY RECOMMENDED
EVAP COOLING	NOT RECOMMENDED
GAS HEATING	SUITABLE

CODE:

	HIGHLY RECOMMENDED
	SUITABLE
	NOT RECOMMENDED

FEATURES

- ABS scratch resistant construction
- Complete air flow control
- Fitted with quick fixing clips
- Multi step adaptor
- Can be adjusted from within room
- Excellent air distribution

TYPE A

Product supplied with multi step plastic neck adaptor and B/Fly damper

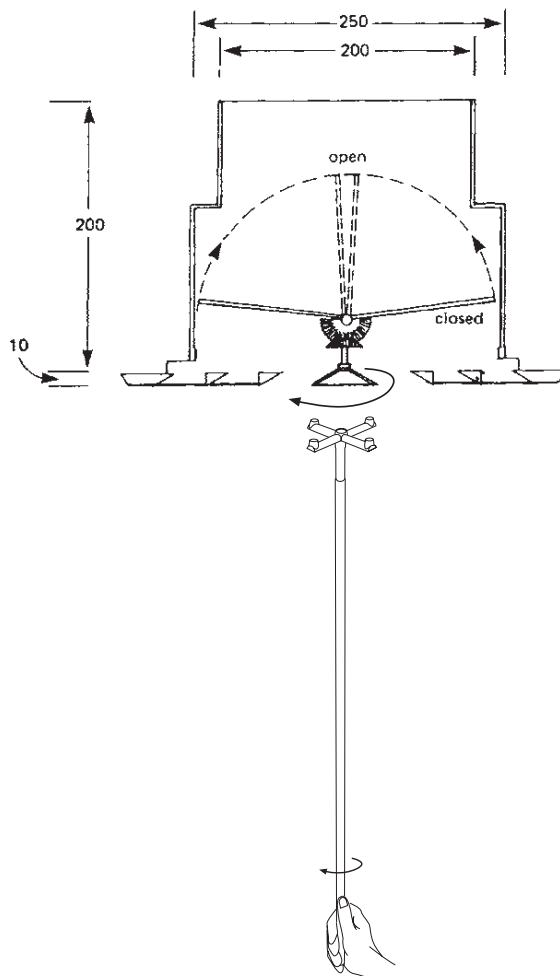
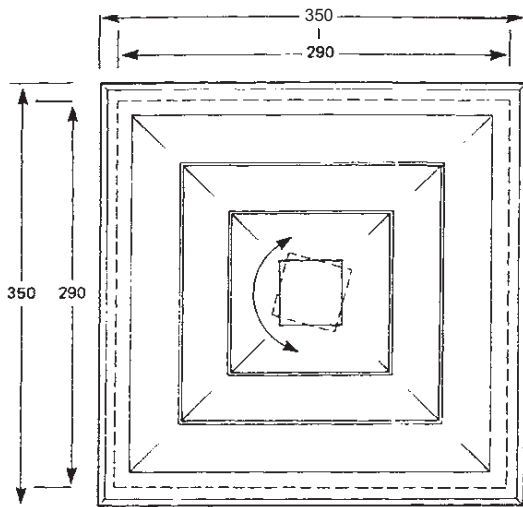
TYPE B

Product supplied with multi step plastic neck adaptor, no damper

TYPE C

Product supplied with cut back adaptor, no damper

PMC RANGE DESCRIPTION



USES:

Reverse Cycle Air Conditioning Outlet allowing controlled aperture ventilation to specific zoned areas.

DAMPER CONTROL:

Rotation of centre piece to control damper setting.

SIMPLE INSTALLATION:

Neck for 200mm or 250mm duct.

OUTSIDE DIMENSION:

350 x 350mm

CEILING APERTURE

290mm x 290mm

Available as complete unit.

Supplied with step down neck adaptor.

AVAIRWAND

In order to assist in air flow damper adjustment where ceiling height is a concern. We supply a convenient wand assembly if desired.