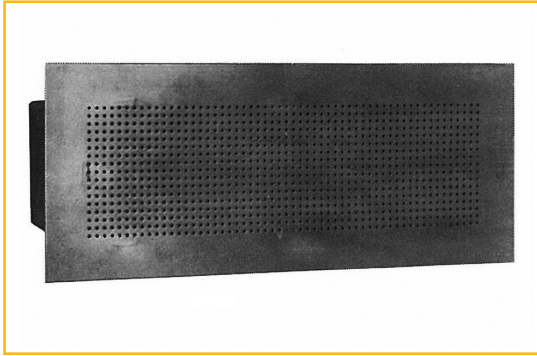


LOW SECURITY GRILLE

TYPE: PCG

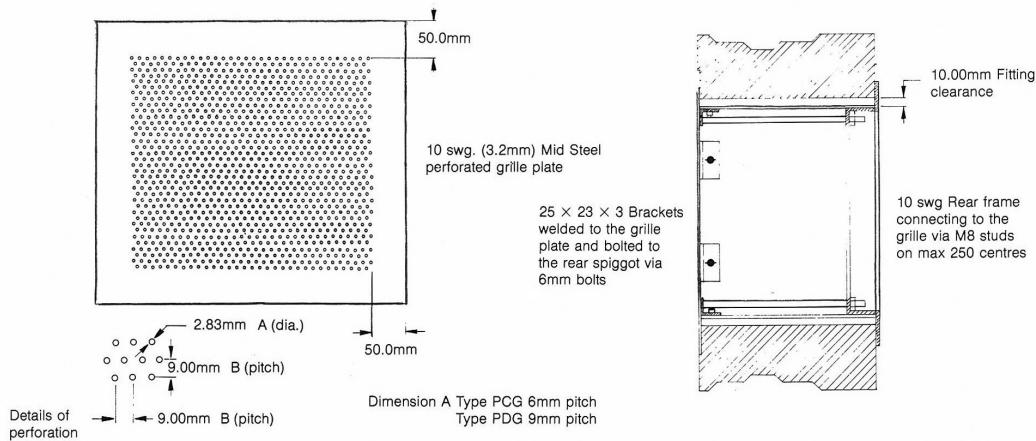


APPLICATION

High quality standard security grille for installation in Low / Medium risk applications

Anti Ligature type high security grille to meet home office approved standards is also available. Please contact head office for further information

PCG · PDG



Construction

Perforated steel plate with welded steel sleeve and backflange.

Finish

Satin anodised aluminium powder coating or "White" as standard. Any stove enamel or polyester powder colour to B.S. or R.A.L. specification can be supplied upon request.

Fixing

Concealed "sleeve" fixing through diffuser neck is standard. Alternative fixings are available.

Sizes

Available in almost any size from 150mm x 150mm in 25mm increments.

Accessories

Type V Opposed Blade Volume Control Damper (Specify PCGV)

Options

Available in alternative gauges of steel plate.

Available in alternative plate performance.

Also available in stainless steel if required.

Anti ligature type is also available.

LOW SECURITY GRILLE

PERFORMANCE DATA TYPE: PCG

TABLE A CORE AREA SELECTION CHART**SELECTION PROCEDURE:**

1. Using the required Volume (M³/Sec) select from table 'A' a core area which will provide a satisfactory pressure drop.
2. Using this chosen core area refer to table 'B' to select a grille of suitable size.
3. Data based on 3mm holes on 6mm close staggered pitch.

Total Vel (M ³ /Sec)	Max Face Vel (M/S)	Core Area (M ²)	Δ Ps (Pa)
0.04	1.9	.021	36
0.06	1.8	.033	33
0.08	1.7	.047	29
0.10	1.6	.063	26
0.125	1.5	.085	23
0.15	1.4	.107	20
0.20	1.3	.154	18
0.25	1.2	.210	15
0.30	1.1	.274	13
0.40	1.0	.400	11
0.50	0.9	.556	9

THE ABOVE VALUE ARE BASED ON A SOUND LEVEL OF NC35

TABLE B SIZE SELECTION CHART

WIDTH (mm)	HEIGHT (mm)										
	100	150	200	250	300	350	400	450	500	550	600
100	.006										
150	.010	.017									
200	.014	.023	.032								
250	.018	.032	.041	.055							
300	.022	.036	.05	.064	.078						
350	.026	.043	.06	.076	.092	.109					
400	.030	.049	.068	.087	.106	.125	.144				
450	.034	.056	.077	.100	.120	.142	.163	.185			
500	.038	.062	.086	.110	.130	.158	.180	.206	.230		
550	.042	.069	.095	.122	.148	.175	.200	.228	.254	.281	
600	.046	.075	.104	.133	.162	.191	.220	.250	.278	.307	.336

SELECTED CORE AREA (FROM TABLE A)