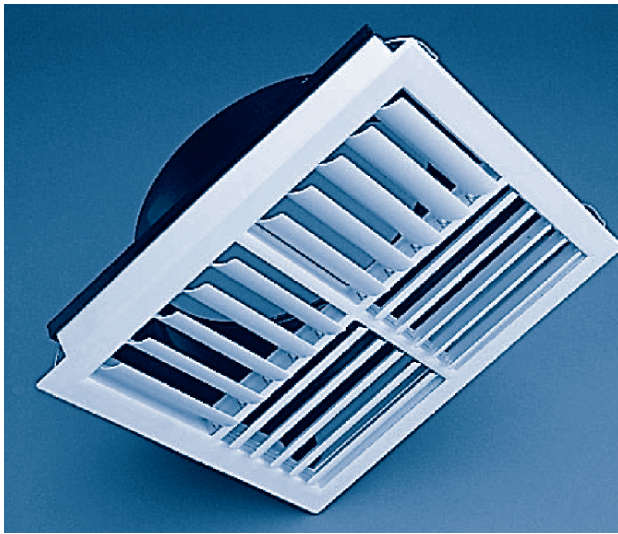


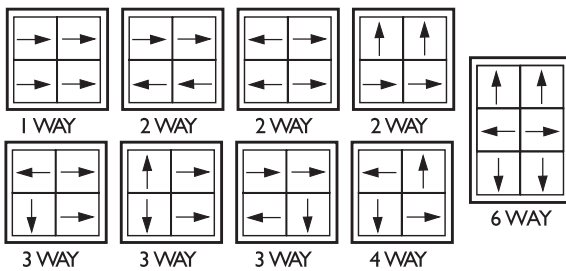
MCDB ADJUSTABLE BLADE DESCRIPTION



DESCRIPTION

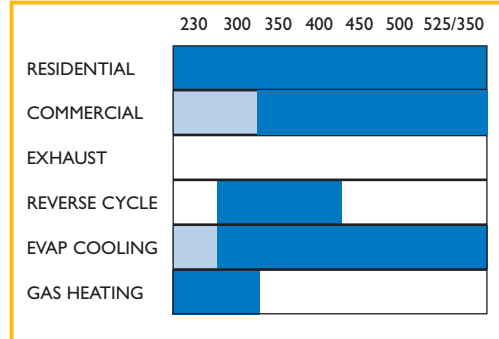
This ADJUSTABLE BLADE MULTI DIRECTIONAL ceiling diffuser allows the user to fully adjust the angle of the diffuser blade from a fully open position to a fully closed position as determined by the installation. The required air pattern in conjunction with the air angle can easily be achieved by a simple manipulation of the louvre assemblies. Manufactured from high impact engineering grade plastics to internationally recognised standards, this grille will not chip, fade, corrode or discolour.

OPTIONAL AIR FLOW DIRECTION



DESCRIPTION	CODE
MDO ADJUSTABLE BLADE 230 sq.	231003
MDO ADJUSTABLE BLADE 300 sq.	231004
MDO ADJUSTABLE BLADE 350 sq.	231005
MDO ADJUSTABLE BLADE 400 sq.	231007
MDO ADJUSTABLE BLADE 450 sq.	231008
MDO ADJUSTABLE BLADE 500 sq.	231010
MDO ADJUSTABLE BLADE 525 x 350	231006

APPLICATION SELECTOR

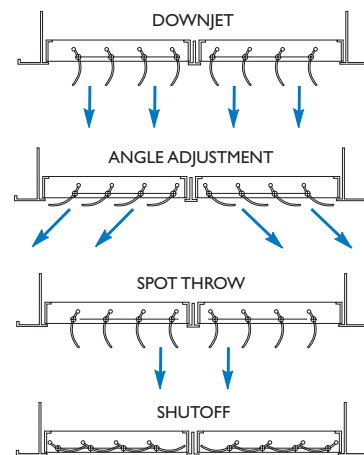


CODE:
 HIGHLY RECOMMENDED
 SUITABLE
 NOT RECOMMENDED

FEATURES

- Tough Polypropylene construction
- Complete air flow directional control adjustment from room
- Unique blade design allows complete air shutoff
- Resistant to formation of condensation
- Extremely good air-flow characteristics
- Etched face reduces dust and dirt marks
- Low resistance to airflow (correct installation)
- Fits all ceiling types and thickness
- Suitable for all wet areas/ highsalt content areas
- Easy to clean
- Non corrosive

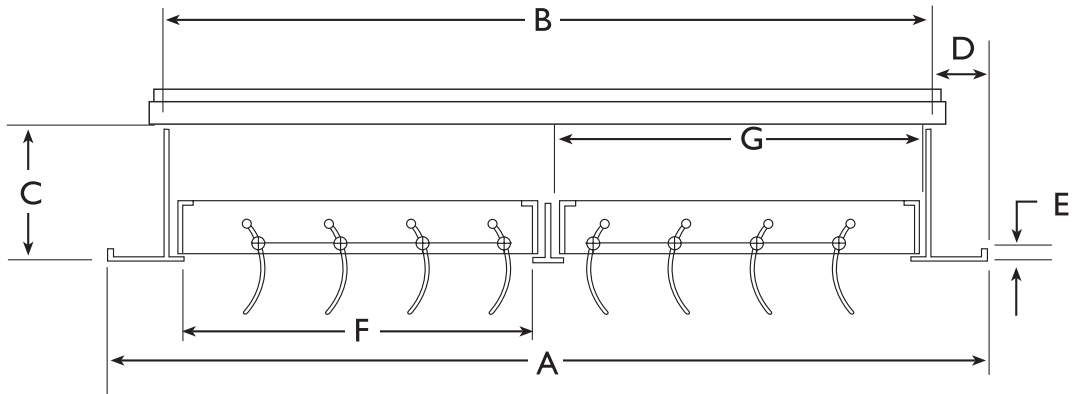
AIR FLOW PATTERNS



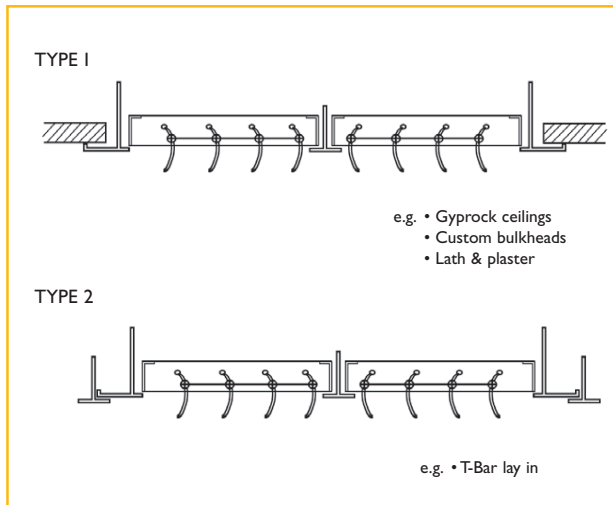
MCDB ADJUSTABLE BLADE

DESIGN & DIMENSION DATA

DESIGN AND DIMENSION DATA



MOUNTING TYPES



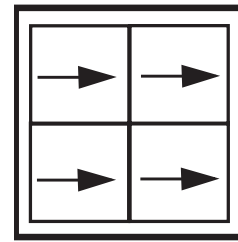
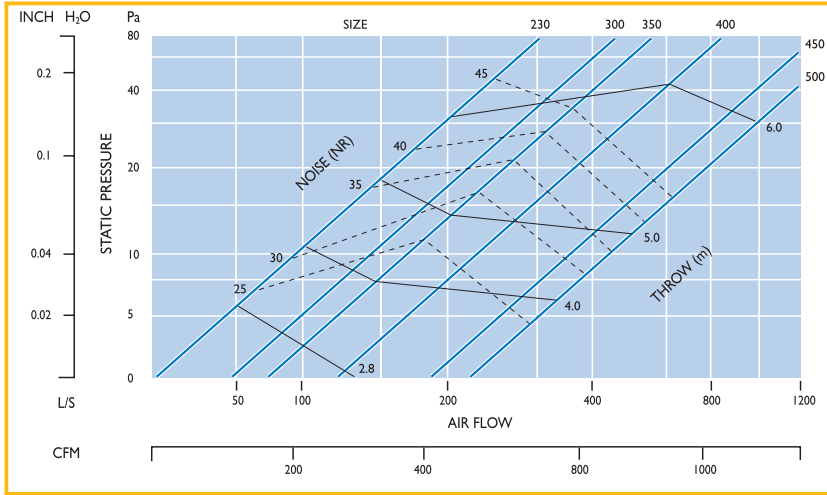
DIMENSIONS	SIZE					
	230	300	350	400	450	500
A	265	335	390	440	490	595
B	224	292	345	395	459	495
C	60	60	60	75	75	70
D	20	22	22	22	22	50
E	5	5	5	8	8	10
F	102	136	162	183	208	236
G	112	140	168	190	215	240
MOUNTING	I	I	I	I	I	1/2

NOTES

- Sound pressure level values expressed in dB(A) re 2×10^{-5} pa
- Noise ratings are calculated with 8dB deducted for room absorption
- Sound data based on one outlet, with Polyaire plastic neck adaptor and acoustic flexible duct above false ceiling
- Throw values measured per ISO 5219-1984, 'The maximum distance to the 0.25 m/s envelope and perpendicular to the intended direction of flow
- Static pressures average within the normal section of the neck adaptor
- Within limits of measurement noise levels and static pressure were identified for 1, 2 and 4 way patterns

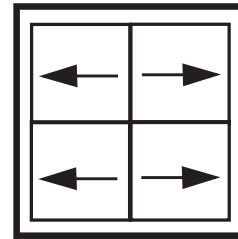
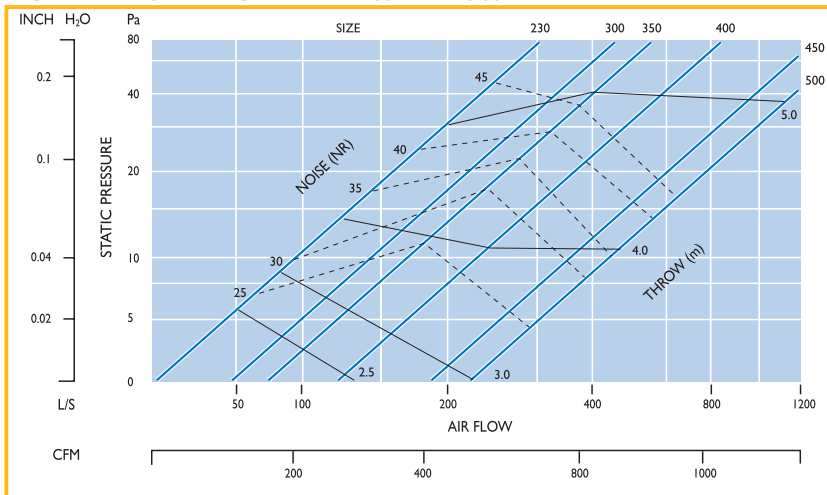
MCDB ADJUSTABLE BLADE PERFORMANCE DATA

MCDB PERFORMANCE DATA - 1 WAY BLOW



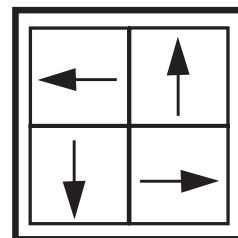
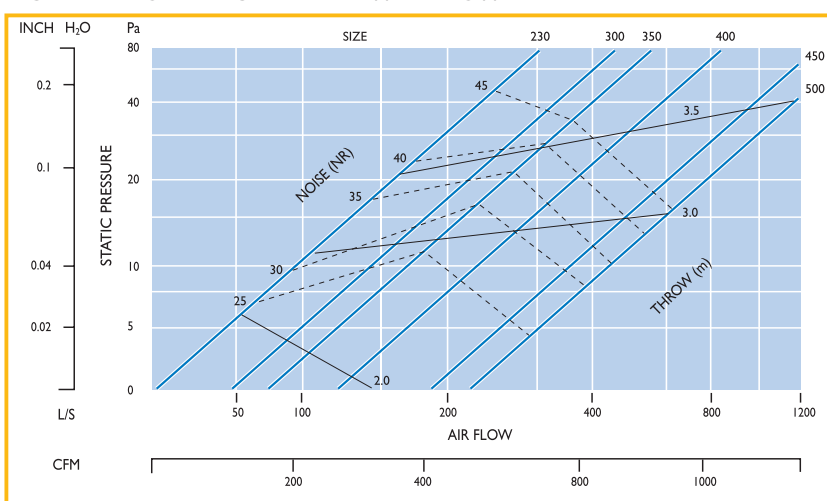
1 WAY

MCDB PERFORMANCE DATA - 2 WAY BLOW



2 WAY

MCDB PERFORMANCE DATA - 4 WAY BLOW



4 WAY