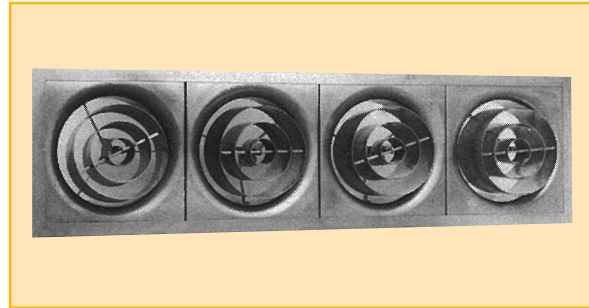


CIRCULAR JET FLOW DIFFUSERS

TYPE: AJ

APPLICATION

Designed to project substantial quantities of air over long distances, this type of diffuser is the ideal selection for supplying air into large areas, such as:- Exhibition halls, Auditoriums, Swimming pools and arenas, etc.



TYPE AJ

FEATURES

The "High Volume Long Throw" concept of type AJ diffusers means that distribution ductwork is kept to a minimum.

Type AJ diffusers are suitable for mounting on ceilings, sidewall or exposed ducts, for either heating or cooling applications.

Choice of size available from 200mm diameter to 350mm diameter in any combination of 1 to 4 elements.

Each element is individually adjustable, radially through 360° thereby making this a most versatile diffuser.

Computer aided selections are available for heating systems where the possibility of "stratification" should be considered. (Please contact local area office.)

CONSTRUCTION

Manufactured to the highest standards, the jet, panel and frame are all of high grade aluminium construction as is the optional rear opposed blade volume control damper.

The plenum box where required is of galvanised steel construction.

FINISH

Silvertone or White stove enamel is standard. Any stove enamel or polyester powder colour to B.S. or R.A.L. specification can be supplied upon request.

FIXING

Screw fixing (Style 1) through countersunk flange holes is standard. Alternative fixings are also available.

ACCESSORIES

Type PB/AJ engineered plenum boxes.
Type V Opposed Blade Volume Control Dampers.

OPTIONS

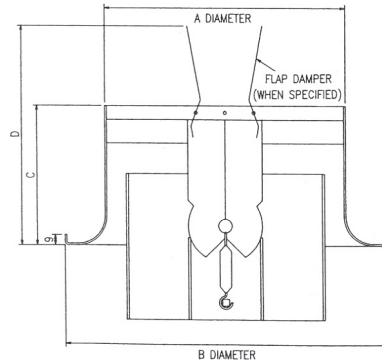
Single or multi-banked units.

CIRCULAR JET DIFFUSERS

DIMENSIONAL DATA TYPE: AJ

Single Jet

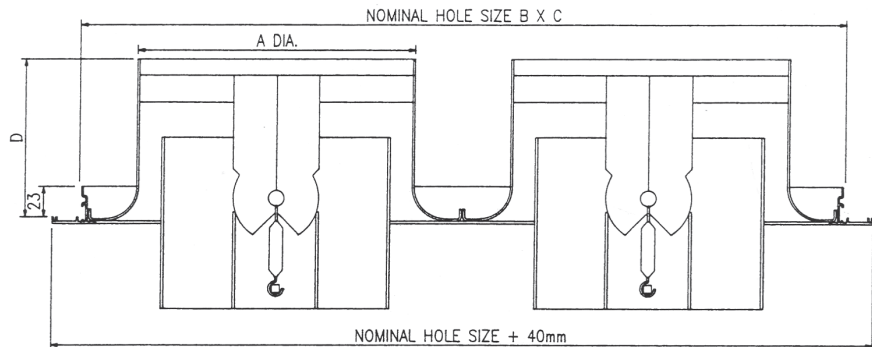
An aluminium single Jet assembly with circular flange for fitting directly into round duct. The jet is easily adjustable up to a maximum of 30° from mid position in any direction.



UNIT SIZE	A	B	C	D
8	206	275	120	185
10	257	325	132	225
14	360	425	160	275

Multi Air Jet Panel

An aluminium jet, assembly manufactured in 3 sizes with 1 to 4 elements per assembly. Each jet is easily adjustable up to a maximum of 30° from mid position. in any direction.



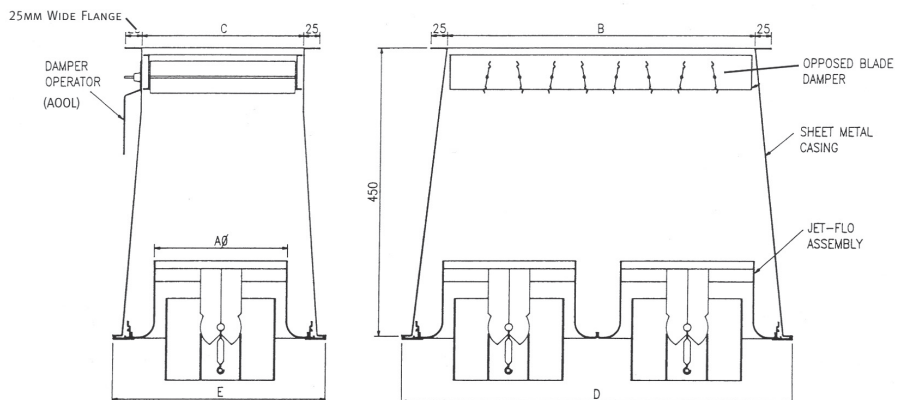
UNIT SIZE	No. OF ELEMENTS	A ₀	B	C	D
8	1	203	292	292	116
	2		571	292	116
	3		851	292	116
	4		1130	292	116

UNIT SIZE	No. OF ELEMENTS	A ₀	B	C	D
10	1	254	343	343	128
	2		673	343	128
	3		1003	343	128
	4		1333	343	128

UNIT SIZE	No. OF ELEMENTS	A ₀	B	C	D
14	1	356	444	444	154
	2		876	444	154
	3		1308	444	154
	4		1740	444	154

Plenum and Damper Arrangment

The AJ/PB/V jet assembly fitted into a galvanized sheet metal casing complete with quadrant operated opposed blade damper.



UNIT SIZE	No. OF ELEMENTS	A ₀	B	C	D	E
8	1	203	200	200	332	332
	2		475	200	611	332
	3		750	200	891	332
	4		1025	200	1170	332

UNIT SIZE	No. OF ELEMENTS	A ₀	B	C	D	E
10	1	254	250	250	383	383
	2		575	250	613	383
	3		900	250	1043	383
	4		1200	250	1373	383

UNIT SIZE	No. OF ELEMENTS	A ₀	B	C	D	E
14	1	356	350	300	484	484
	2		775	300	916	484
	3		1200	300	1348	484
	4		1650	300	1780	484

JET FLOW DIFFUSERS

PERFORMANCE DATA TYPE: AJ

MODEL AJ										
Air Volume m ³ /sec	Number of Elements	SIZE 8			SIZE 10			SIZE 14		
		Throw Metres	Pressure Drop N/m ²	NC	Throw Metres	Pressure Drop N/m ²	NC	Throw Metres	Pressure Drop N/m ²	NC
0.10	1	7.0	16	-	-	-	-	-	-	-
0.15	1	9.0	35	21	-	-	-	-	-	-
0.20	1	13.0	63	29	-	-	-	-	-	-
	2	7.0	16	-	-	-	-	-	-	-
0.25	1	16.0	98	33	13.0	34	20	-	-	-
	2	9.0	25	29	-	-	-	-	-	-
0.30	1	22.0	142	37	15.0	49	24	-	-	-
	2	11.0	36	24	-	-	-	-	-	-
0.35	1	25.0	193	41	18.0	67	28	-	-	-
	2	12.0	49	28	-	-	-	-	-	-
0.40	1	-	-	-	20.0	87	32	15.0	20	18
	2	14.0	64	32	11.0	22	-	-	-	-
	3	10.0	28	17	-	-	-	-	-	-
0.45	1	-	-	-	23.0	110	38	17.0	28	24
	2	16.0	81	34	12.0	28	-	-	-	-
	3	12.0	35	24	-	-	-	-	-	-
	4	9.0	20	17	-	-	-	-	-	-
0.50	1	-	-	-	25.0	136	41	18.0	31	25
	2	18.0	100	36	13.0	34	16	-	-	-
	3	13.0	44	28	-	-	-	-	-	-
	4	10.0	25	22	-	-	-	-	-	-
0.60	1	-	-	-	30.0	196	46	20.0	65	32
	2	21.0	144	40	17.0	49	27	11.0	11	-
	3	15.0	63	32	17.0	20	-	-	-	-
	4	12.0	36	27	-	-	-	-	-	-
0.70	1	-	-	-	-	-	-	24.0	61	35
	2	23.0	196	44	19.0	67	31	15.0	15	18
	3	18.0	86	37	14.0	27	16	-	-	-
	4	14.0	49	31	-	-	-	-	-	-
0.80	1	-	-	-	-	-	-	25.0	79	38
	2	-	-	-	22.0	88	36	7.0	20	21
	3	20.0	113	39	15.0	35	19	-	-	-
	4	16.0	64	35	12.0	22	15	-	-	-
0.90	1	-	-	-	-	-	-	31.0	100	40
	2	-	-	-	25.0	110	41	19.0	25	26
	3	23.0	143	42	17.0	49	28	13.0	11	-
	4	18.0	81	37	13.0	29	17	-	-	-
1.00	1	-	-	-	-	-	-	35.0	124	43
	2	-	-	-	28.0	136	44	22.0	31	28
	3	29.0	176	45	19.0	53	31	15.0	14	17
	4	20.0	81	39	15.0	24	20	-	-	-
1.10	1	-	-	-	-	-	-	39.0	150	46
	2	-	-	-	30.0	165	46	24.0	38	31
	3	-	-	-	21.0	67	34	16.0	17	19
	4	21.0	121	40	16.0	41	24	-	-	-
1.20	1	-	-	-	-	-	-	42.0	179	48
	2	-	-	-	33.0	196	49	26.0	45	35
	3	-	-	-	23.0	80	37	18.0	20	21
	4	23.0	144	43	18.0	49	30	14.0	12	-
1.30	1	-	-	-	-	-	-	45.0	210	52
	2	-	-	-	36.0	230	52	28.0	53	37
	3	-	-	-	25.0	93	39	19.0	23	24
	4	25.0	169	45	19.0	57	32	15.0	14	19
1.40	1	-	-	-	-	-	-	50.0	243	54
	2	-	-	-	-	-	-	30.0	61	38
	3	-	-	-	27.0	108	41	21.0	27	28
	4	27.0	196	47	21.0	67	34	16.0	16	20
1.50	2	-	-	-	-	-	-	32.0	70	40
	3	-	-	-	29.0	124	44	22.0	31	31
	4	29.0	228	49	22.0	77	37	17.0	18	23
1.60	2	-	-	-	-	-	-	34.0	80	42
	3	-	-	-	31.0	141	47	23.0	35	34
	4	31.0	252	50	25.0	88	39	18.0	20	25
1.80	2	-	-	-	-	-	-	38.0	101	44
	3	-	-	-	35.0	178	50	26.0	45	36
	4	-	-	-	27.0	110	44	20.0	26	28
2.0	2	-	-	-	-	-	-	42.0	124	46
	3	-	-	-	38.0	200	52	29.0	55	39
	4	-	-	-	30.0	136	47	23.0	33	31
2.5	3	-	-	-	-	-	-	36.0	86	44
	4	-	-	-	37.0	213	53	26.0	51	39
3.0	3	-	-	-	-	-	-	44.0	124	48
	4	-	-	-	-	-	-	34.0	73	43
3.5	3	-	-	-	-	-	-	51.0	169	53
	4	-	-	-	-	-	-	40.0	100	48
4.0	3	-	-	-	-	-	-	58.0	200	56
	4	-	-	-	-	-	-	45.0	131	49
4.5	4	-	-	-	-	-	-	51.0	165	54