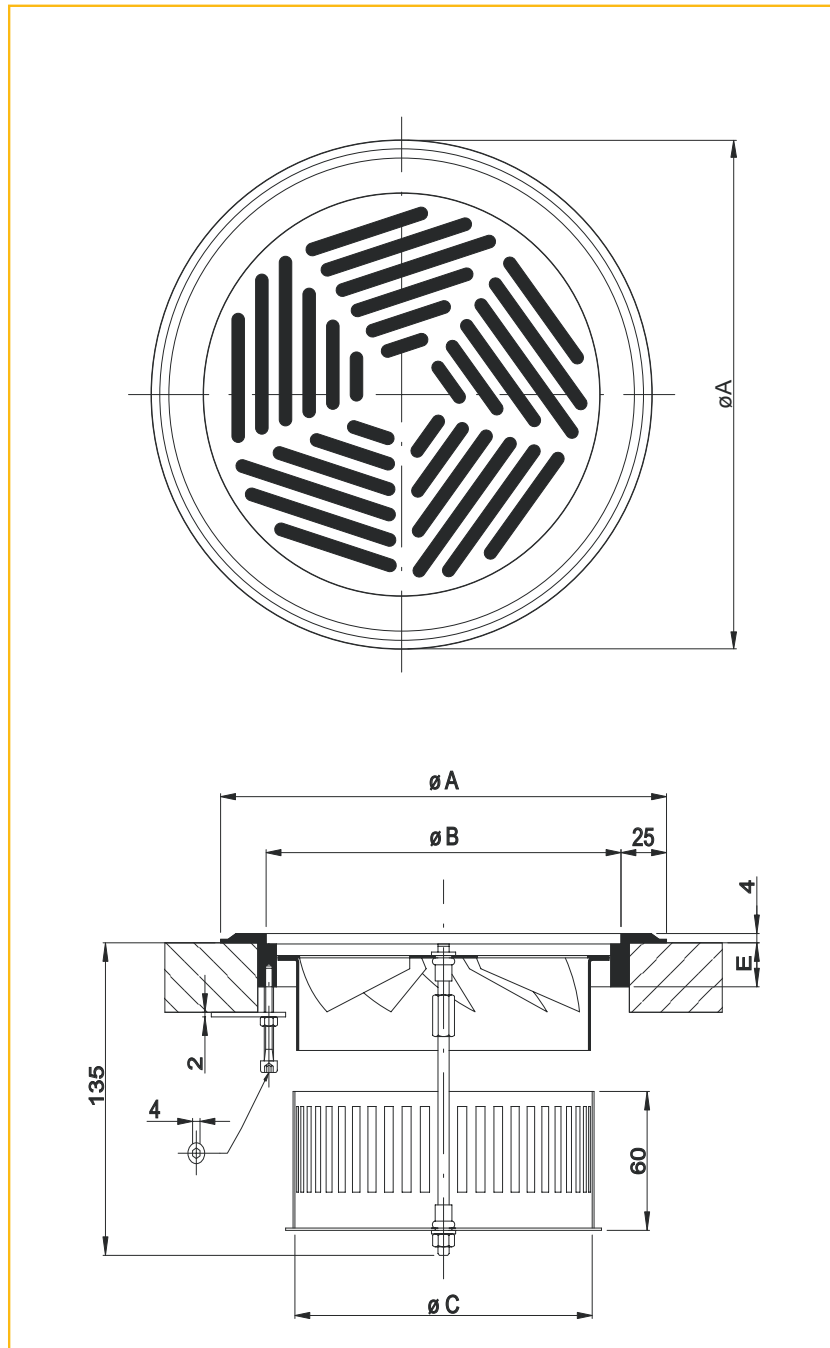


FLOOR GRILLE

TYPE: VM

Installation dimensions



Size	$\varnothing A$	$\varnothing B$	$\varnothing C$	E
150	190	140	124	14
200	240	190	160	19

All dimensions in mm.



Application

The grille type VM is used for supply and exhaust of cooled and heated air in facilities such as offices, meeting rooms, auditoria, concert halls,

The grille can be mounted in the floor where an austere aesthetic construction is desired.

Suitable for mounting in system floors.

Technical Information

Characteristics :

- floor grille combined with a swirl diffuser
- horizontal or vertical swirl-form air pattern
- removable grille tile
- available with dust basket that can be used as damper
- available with outer ring

Construction :

- floor grille and outer ring are made out of aluminium
- finish : aluminium ball blasted
- on demand available ball polished, anodised or painted in a RAL-colour
- swirl diffuser in galvanised steel, painted black
- dirt basket in galvanised steel

FLOOR GRILLE

TYPE: VM

Specifications description

Example :

Floor grille with horizontal swirl air pattern, used for mounting in system floors. Floor grille and outer ring out of aluminium (ball blasted) and with removable grille tile. Equipped with a dust basket that can be used as damper.

Type : VMH11
nom. dim. ... mm

Fixing

- Outer ring is fixed with 3 mounting straps on the floor

How to order

VMH11 size 200 mm.

V	M	H	1	1	-	-	0	2	0	0	0	0	0	0
---	---	---	---	---	---	---	---	---	---	---	---	---	---	---

Size

H : horizontal air pattern
V : vertical air pattern

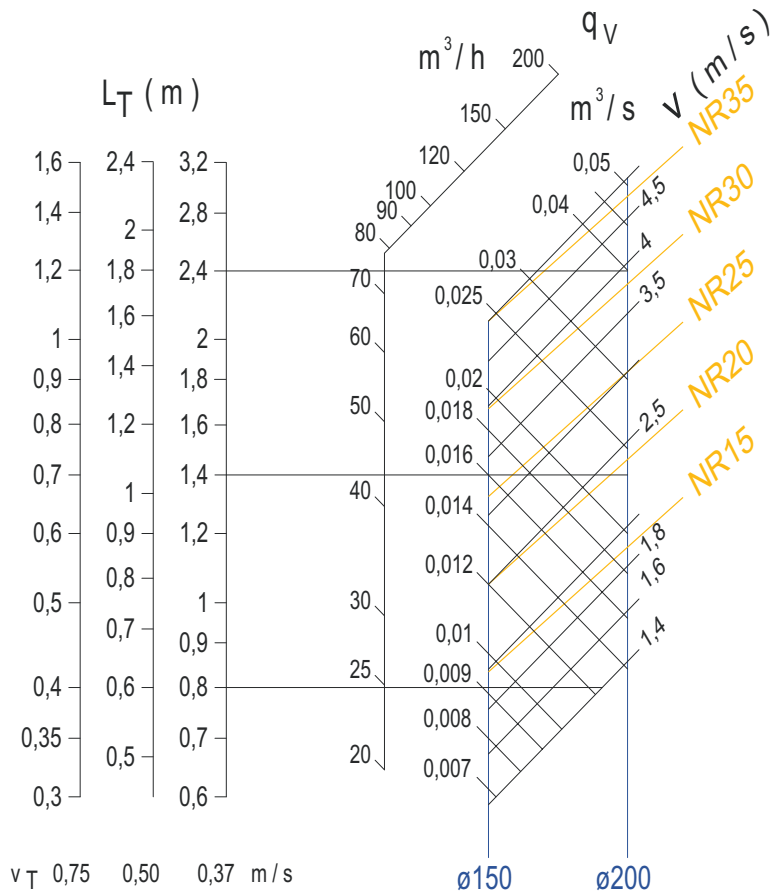
M : grille + outer ring
T : grille

FLOOR GRILLE

PERFORMANCE DATA TYPE: VM

Selection diagram - supply - Vertical Setting

Vertical air pattern, VMV11



Correction factor L_T :

Δt	0°	-4°	-6°	-8°	-10°
	x 1	x 0,7	x 0,6	x 0,5	x 0,45

Correction factor according to the position of the dust basket:

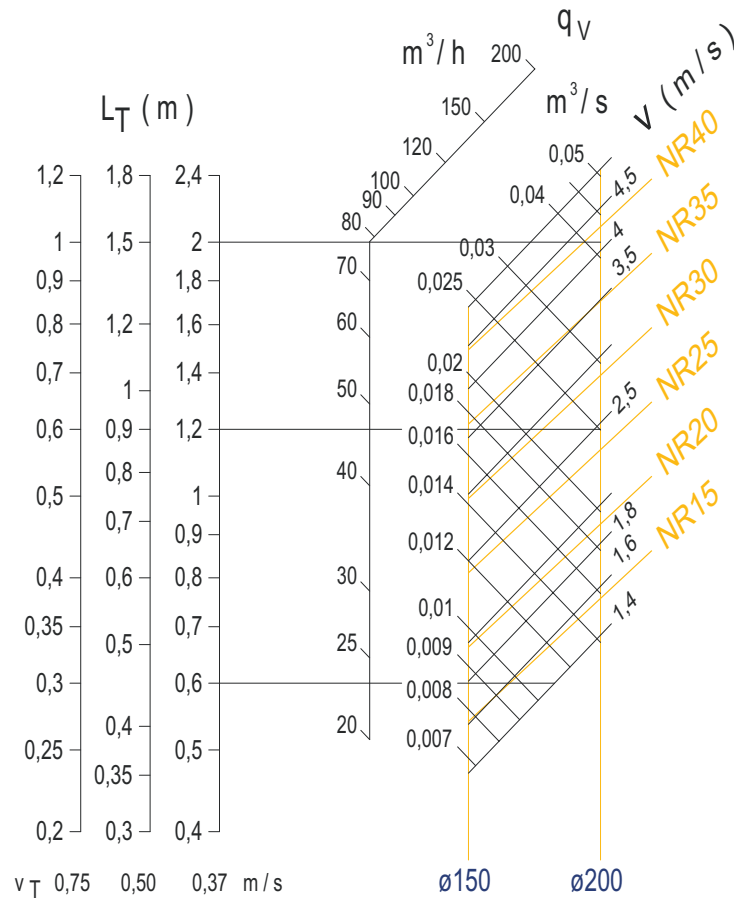
% open	$\varnothing 150$	$\varnothing 200$
100 %	NR + 0	NR + 0
50 %	NR + 2	NR + 5
25 %	NR + 5	NR + 11

FLOOR GRILLE

TYPE: VM

Selection diagram - supply - Horizontal Setting

Horizontal air pattern, VMH11



Correction factor according to the position of the dust basket:

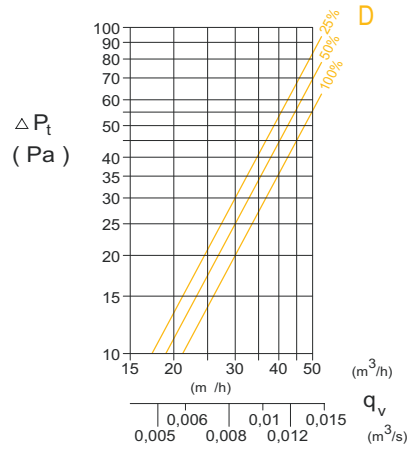
% open	ø 150	ø 200
100 %	NR + 0	NR + 0
50 %	NR + 2	NR + 2
25 %	NR + 5	NR + 8

FLOOR GRILLE

TYPE: VM

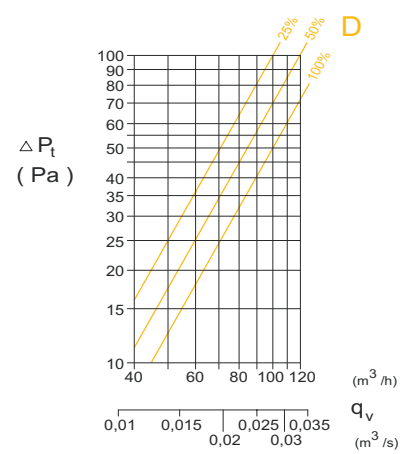
Pressure loss

Size 150 mm
horizontal air pattern, VM011



Correction factor : vertical air pattern: $P_t \times 0,9$

Size 200 mm
horizontal air pattern, VM011



Correction factor : vertical air pattern : $P_t \times 0,9$