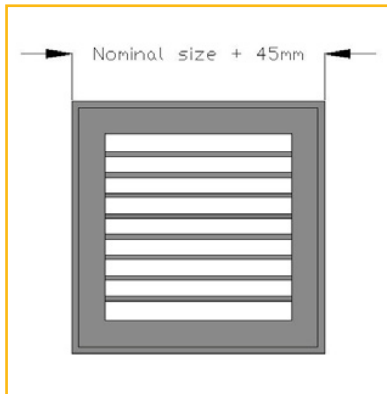


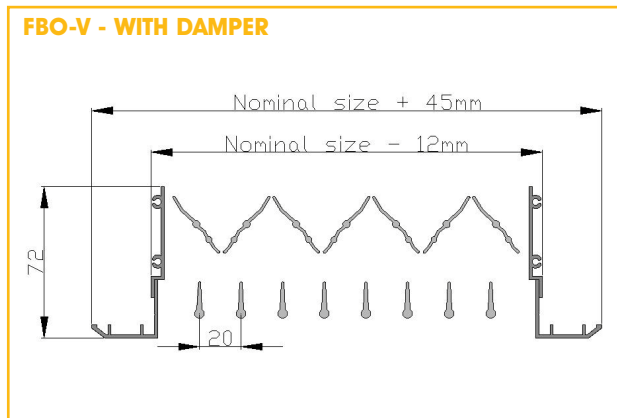
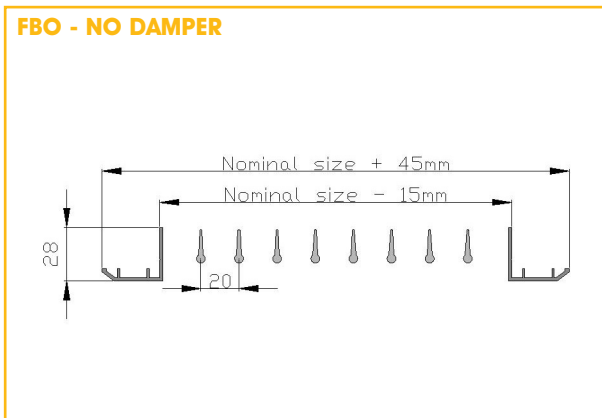
FIXED BLADE RETURN AIR GRILLES

TYPE: FBO



APPLICATION

Suitable for wall mounting at high or low level to match Type SSD supply diffusers.



Features

0° Blade setting for maximum free area.

Fixed tamper-proof blades.

Construction

Manufactured to the highest standards entirely from extruded aluminium sections including volume control damper.

Finish

Satin Silver Anodised as standard. Polyester powder R.A.L. specification can be supplied upon request.

Fixing

Screw holes not provided as standard. Concealed, quick release, and alternative fixings are also available.

Min / Max Sizes

Maximum one piece - 1200 X 1200
Minimum size - 100 X 100

Accessories

Face Operated Volume Control Damper.

Options

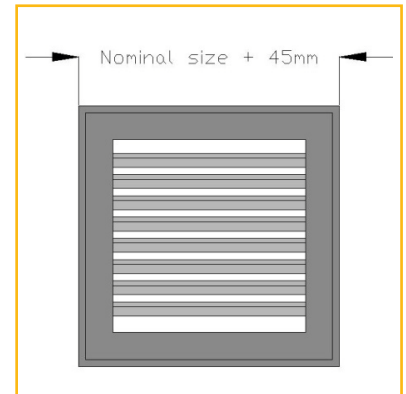
Hinged or removable core available.

FIXED BLADE RETURN AIR GRILLES

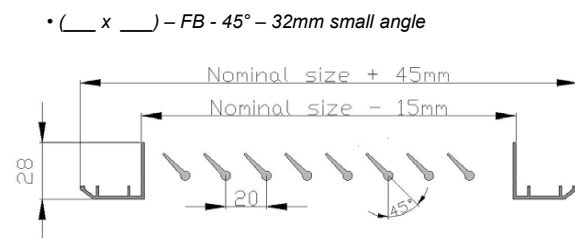
TYPE: FB45

APPLICATION

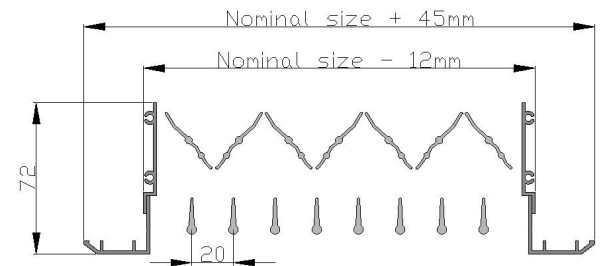
Suitable for installation in walls, ceilings, partitions, etc at high or low level and combining an attractive appearance with maximum free area.



FB45 - NO DAMPER



FB45-V - WITH DAMPER



Features

Robust 45° fixed, tamper-proof blade setting.

Semi non vision horizontal blades for sidewall application or can be provided with 2-way pattern for ceiling applications.

Construction

Manufactured to the highest standards entirely from extruded aluminium sections including volume control damper.

Finish

Satin Silver Anodised as standard. Any polyester powder colour R.A.L. specification can be supplied upon request.

Fixing

Screw holes not provided as standard. Concealed, quick release and alternative fixings are also available.

Min / Max Sizes

Maximum one piece - 1200 X 1200
Minimum size - 100 X 100

Accessories

Face operated Volume Control Damper.

Options

Hinged or removable core available.