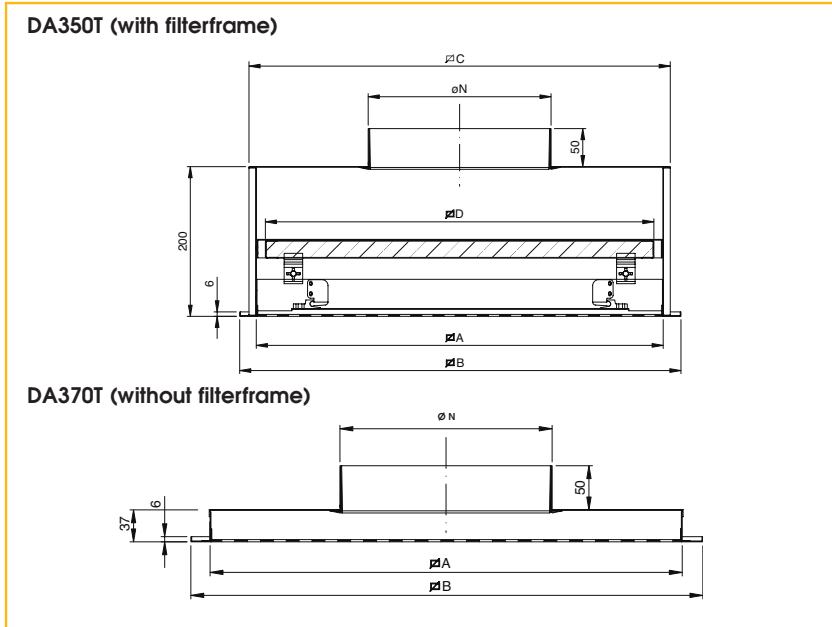


EXHAUST DIFFUSER WITH PERFORATED PLATE

TYPE: DA350T • DA350S • DA370T • DA370S

Installation dimensions



Application

The diffuser type DA350/370 is used for the exhaust of air in facilities such as offices, shopping centres, ... The diffuser can be mounted in the ceiling.

Technical information

Characteristics:

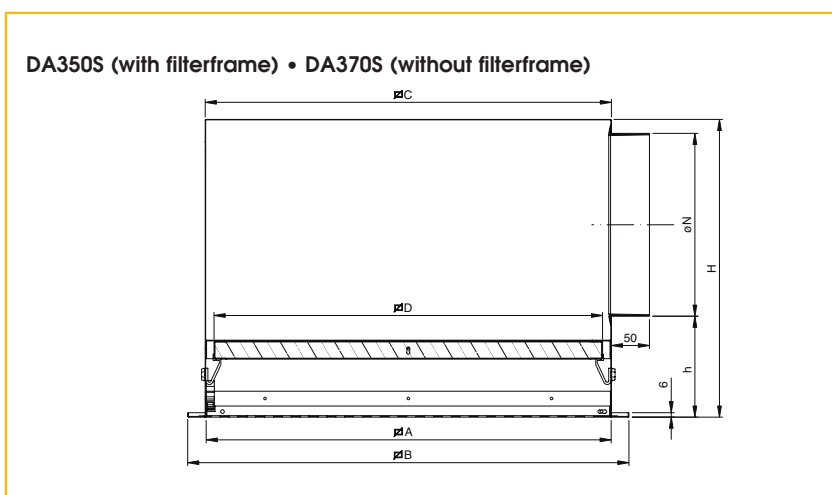
- available with clips lock and push-pull lock
- free passage ca. 50%
- the perforated plate is mounted in the frame with hinges for easy access.

Construction:

- diffuser: steel, painted white (RAL 9010)
- plenum: galvanised steel sheet

DA350T • DA370T

Size	Ø N	Ø A	Ø B
160	158	244	294
200	198	344	394
250	248	444	494
315	313	544	594



DA350S • DA370S

Size	Ø N	Ø A	Ø B	Ø C	Ø D	H	h
160	158	244	294	266 x 248	230 x 230 x 22	310	110
200	198	344	394	366 x 348	330 x 330 x 22	350	110
250	248	444	494	466 x 448	430 x 430 x 22	400	135
315	313	544	594	566 x 548	530 x 530 x 22	460	135

All dimensions in mm

EXHAUST DIFFUSER WITH PERFORATED PLATE

TYPE: DA350T • DA350S • DA370T • DA370S

Specifications description

Example:

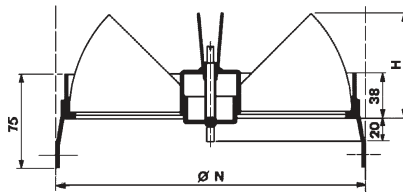
Square steel exhaust diffuser with clips lock and complete with a plenum with circular top entry and damper. The diffuser is painted white (RAL 9010).

Type: **DA370T + DT003**
size ... mm

Accessories

DT003: Damper for DA370T with several radial, opposed segments. Adjustable after opening the hinged perforated plate. Steel sheet and painted black (RAL 9005).

DT003



Size	Ø N	H
160	158	55
200	198	69
250	248	89
315	313	109

N = duct size
H = expected height in duct
All dimensions in mm

Fixing

DA350T/370T: Concealed fixing by means of screws in the diffuser neck, ceiling mounting in T-profile also possible.

Options

- **DA350:** diffuser with push-pull lock
- **DA370:** diffuser with clips lock
- **DA350S:** diffuser with push-pull lock and side entry, with filter-frame
- **DA350SG:** DA350S with insulated plenum
- **DA370S:** diffuser with clips lock and side entry
- **DA370SG:** DA370S with insulated plenum
- **DA351S:** DA350S with damper in side entry
- **DA351SG:** DA350S with insulated plenum
- **DA371S:** DA370S with damper in side entry
- **DA371SG:** DA371S with insulated plenum
- **DA350T:** diffuser with push-pull lock and top entry, with filter-frame
- **DA370T:** diffuser with clips lock and top entry
- **DA350P:** Steel modular plate for false ceiling mounting with push-pull lock, 594 x 594 mm, painted white (RAL9010) (for further information, please call sales)
- **DA370P:** Steel modular plate for false ceiling mounting with clips lock 594 x 594 mm, painted white (RAL 9010) (for further information, please call sales)

How to order

DA 370T size 315 x 594 mm with damper type DT003 size 315 mm

a) Diffuser

D	A	3	7	0	T	-	0	3	1	5	0	5	9	4
---	---	---	---	---	---	---	---	---	---	---	---	---	---	---

size dimension B

- : plenum
G: insulated plenum (for side entry)

- : diffuser
S: diffuser and plenum with side entry
T: diffuser and plenum with top entry

0: without damper (DA350/370S)
1: with damper (DA351/371S)

DA350: diffuser with push-pull lock
DA370: diffuser with clips lock

b) Damper

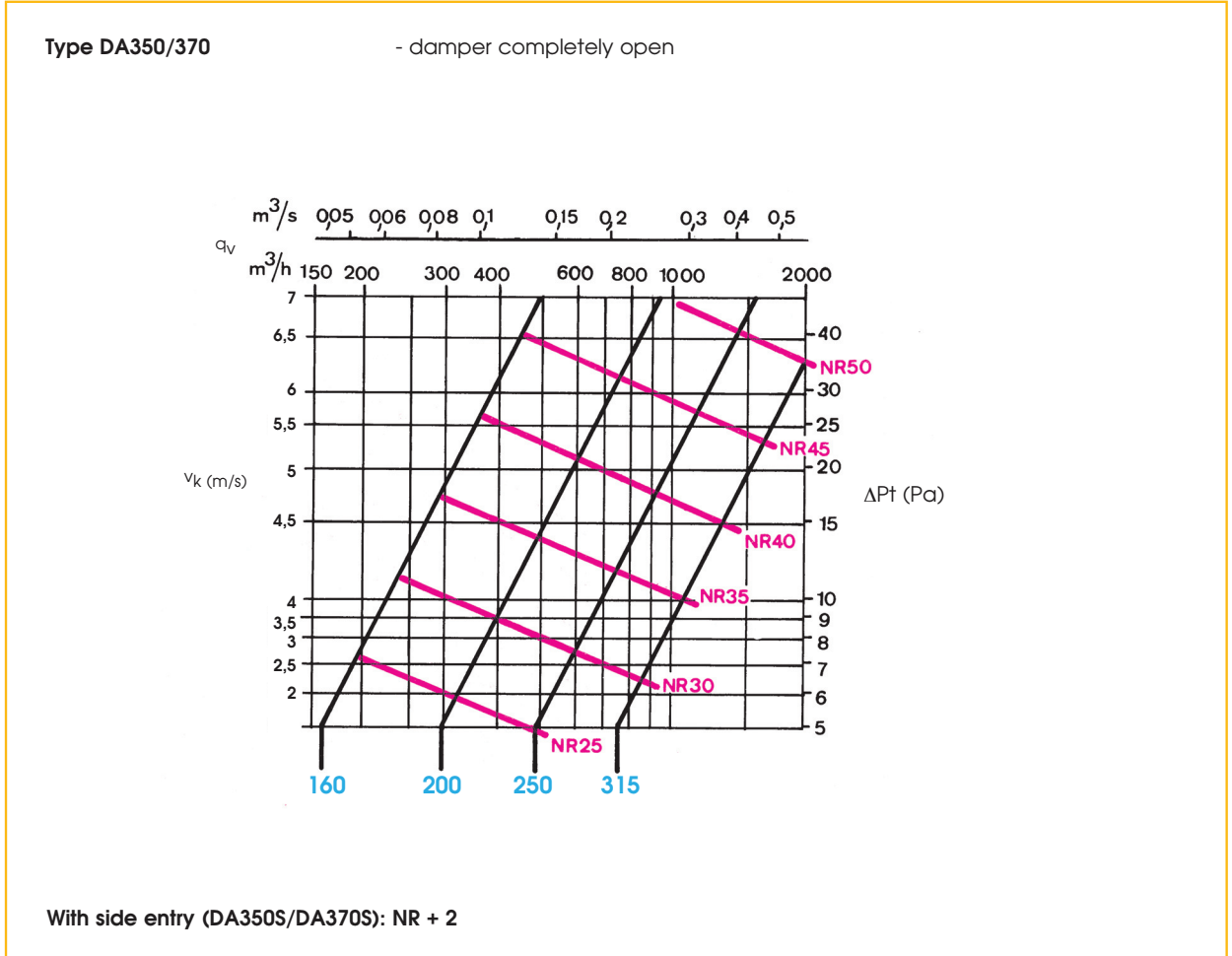
D	T	0	0	3	-	-	0	3	1	5	0	0	0	0
---	---	---	---	---	---	---	---	---	---	---	---	---	---	---

size

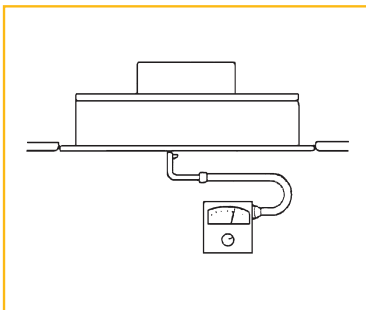
EXHAUST DIFFUSER WITH PERFORATED PLATE

TYPE: DA350T • DA350S • DA370T • DA370S

Selection diagram- exhaust



Air flow rate measurement - exhaust



Velometer jet 2220 A or 6070

	A _k -values (m ²)			
Size	160	200	250	315
A _k (m ²)	0,02	0,033	0,051	0,08