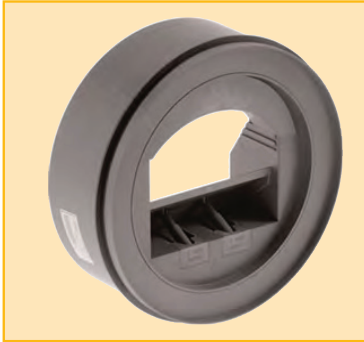


CONSTANT FLOW REGULATOR

TYPE: CFR • HP

Installation dimensions



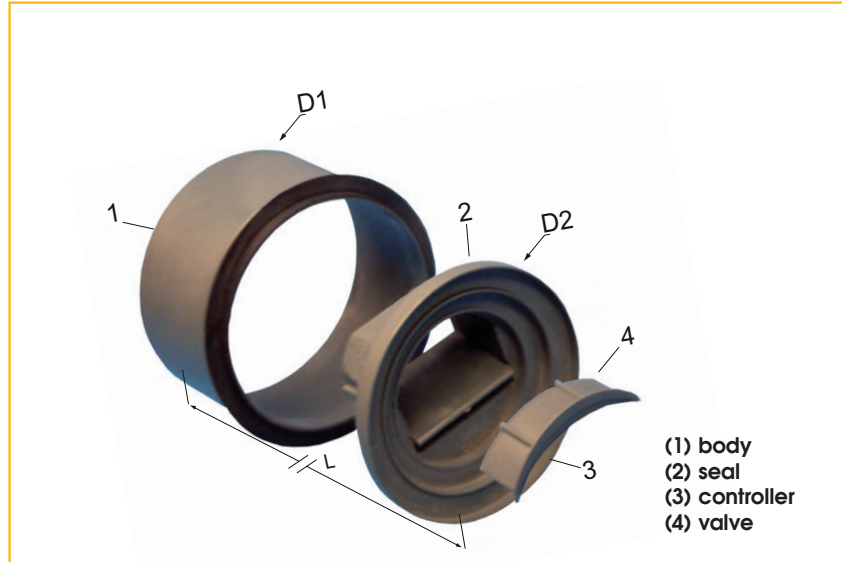
Application

The CFR HP, constant flow regulator is fitted in the air duct to ensure a constant air flow at a pressure between 150 and 600 Pa. The range covers an airflow range between 50 up to 1200 m³/h.

The controller is used for ventilation and air conditioning, for exhaust and supply of air.

The airflow is gradual adjustable by means of valves.

- maximum working temperature 60°C
- body, valve and piston made out of fire retardant plastics M1
- stainless steel calibrated spring
- rubber air-tight sealing



RD	80*	100*	125*	125	150	160	200	250
D1 (mm)	76	96	120	120	148	156	196	244
D2 (mm)	73	93	117	117	147	147	192	244
L (mm)	55	60	70	90	97	97	90	93

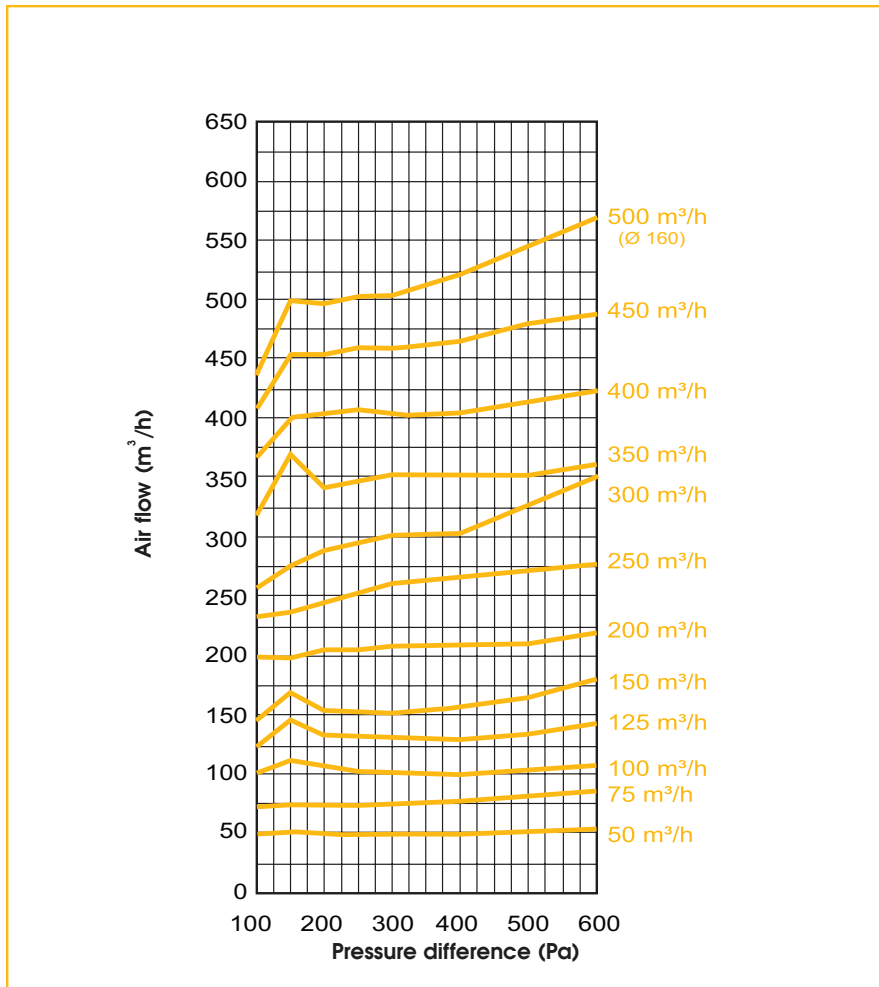
* from 25 to 150 m³/h

Ø	m ³ /h	how to order	Ø	m ³ /h	how to order
80	25	CFRHP 0080 0025	160	150	CFRHP 0160 0150
	50	CFRHP 0080 0050		200	CFRHP 0160 0200
	75	CFRHP 0080 0075		300	CFRHP 0160 0300
100	25	CFRHP 0100 0025		350	CFRHP 0160 0350
	50	CFRHP 0100 0050		400	CFRHP 0160 0400
	75	CFRHP 0100 0075	450	CFRHP 0160 0450	
	100	CFRHP 0100 0100	500	CFRHP 0160 0500	
	125	CFRHP 0100 0125	200	300	CFRHP 0200 0300
	150	CFRHP 0100 0150		350	CFRHP 0200 0350
125	25	CFRHP 0125 0025		400	CFRHP 0200 0400
	50	CFRHP 0125 0050		450	CFRHP 0200 0450
	75	CFRHP 0125 0075		500	CFRHP 0200 0500
	100	CFRHP 0125 0100		600	CFRHP 0200 0600
	125	CFRHP 0125 0125	700	CFRHP 0200 0700	
	150	CFRHP 0125 0150	800	CFRHP 0200 0800	
	200	CFRHP 0125 0200	250	500	CFRHP 0250 0500
	250	CFRHP 0125 0250		600	CFRHP 0250 0600
	300	CFRHP 0125 0300		700	CFRHP 0250 0700
	150	150		CFRHP 0150 0150	800
200		CFRHP 0150 0200		900	CFRHP 0250 0900
250		CFRHP 0150 0250		1000	CFRHP 0250 1000
300		CFRHP 0150 0300	1100	CFRHP 0250 1100	
350		CFRHP 0150 0350	1200	CFRHP 0250 1200	
400		CFRHP 0150 0400			
450		CFRHP 0150 0450			
500		CFRHP 0150 0500			

CONSTANT FLOW REGULATOR

TYPE: CFR • HP

Selection diagram

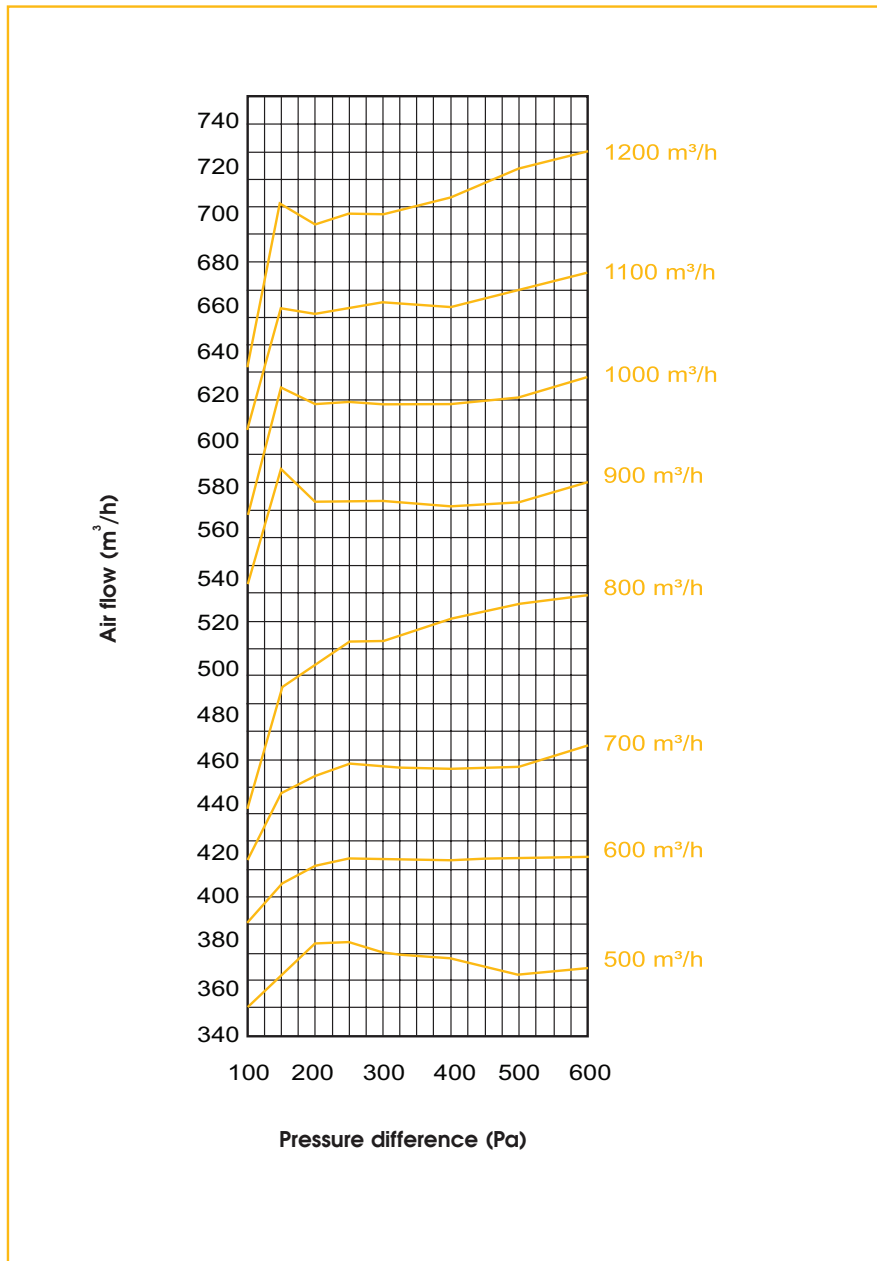


Caution: the values indicated are average values that can vary by $\pm 10\%$

CONSTANT FLOW REGULATOR

TYPE: CFR • HP

Selection diagram



Caution: the values indicated are average values that can vary by $\pm 10\%$