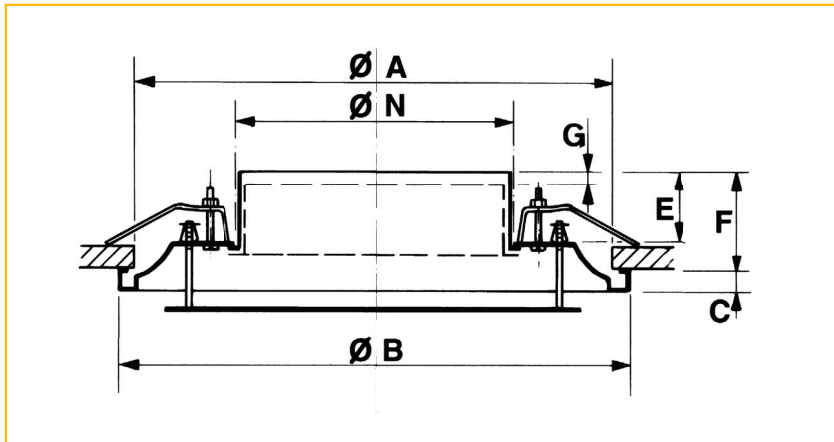


# CIRCULAR DIFFUSER WITH ADJUSTABLE PATTERN

## TYPE: CC600

### Installation dimensions



Size	A	B	C	F	N	E	G
100	207	230	22	56	100	51	15
125	242	265	22	53	125	51	15
160	287	310	25	93	160	71	15
200	338	365	25	93	200	71	15
250	397	430	25	93	250	71	15
315	476	515	30	88	315	71	15

All dimensions in mm.

### Specifications description

#### Example:

Circular diffuser with adjustable air pattern and circular top entry, complete with a telescopic damper in the diffuser neck. The diffuser is painted in white (RAL 9010)

Type: **CC601**  
size ... mm

### Fixing

- with 3 mounting brackets
- with screws in the diffuser neck

### Options

- **CC600**: circular diffuser
- **CC601**: circular diffuser with telescopic damper

### Technical information

#### Characteristics :

- air pattern adjustable in 5 positions (horizontally - vertically)
- removable deflector plate

#### Construction:

- painted white (RAL 9010)



### Application

The diffuser type CC600 is used for the supply and exhaust of cooled or heated air in facilities such as offices, shopping centres, ... The diffuser can be mounted in the ceiling where high aesthetic standards are required. Adjustable air pattern (horizontally - vertically). Due to its stable air distribution, it can also be used for VAV terminal boxes.

#### Adjusting possibilities:



#### Vertical air pattern



#### Horizontal air pattern

## SQUARE DIFFUSER WITH ADJUSTABLE PATTERN

### TYPE: CC600 SELECTION TABLES

#### CC600 Selection Tables

SIZE DIA	VOLUME L/S	THROW	PA	F/A	OUTLET VEL M/S	NR
100	14	0.42	6	0.0044	3.2	15
100	22	0.66	15	0.0044	5.0	20
100	28	0.84	24	0.0044	6.4	25
100	32	0.96	32	0.0044	7.3	30
100	38	1.15	45	0.0044	8.6	35
100	45	1.36	63	0.0044	10.2	40

SIZE DIA	VOLUME L/S	THROW	PA	F/A	OUTLET VEL M/S	NR
125	18	0.4	4	0.0066	2.7	15
125	32	0.8	12	0.0066	4.8	20
125	38	0.9	16	0.0066	5.7	25
125	45	1.1	23	0.0066	6.8	30
125	52	1.3	31	0.0066	7.8	35
125	60	1.5	41	0.0066	9.1	40

## SQUARE DIFFUSER WITH ADJUSTABLE PATTERN

### TYPE: CC600 SELECTION TABLES

SIZE DIA	VOLUME L/S	THROW	PA	F/A	OUTLET VEL M/S	NR
160	30	0.6	4	0.011	2.7	15
160	35	0.9	8	0.011	4.1	20
160	55	1.0	12	0.011	5.0	25
160	65	1.2	17	0.011	5.9	30
160	75	1.4	23	0.011	6.8	35
160	90	1.7	33	0.011	8.1	40

SIZE DIA	VOLUME L/S	THROW	PA	F/A	OUTLET VEL M/S	NR
200	45	0.7	3	0.017	2.6	15
200	65	1.0	7	0.017	3.8	20
200	80	1.2	11	0.017	4.6	25
200	95	1.4	15	0.017	5.5	30
200	110	1.7	20	0.017	6.4	35
200	130	2.0	28	0.017	7.5	40

SIZE DIA	VOLUME L/S	THROW	PA	F/A	OUTLET VEL M/S	NR
250	70	0.8	3	0.027	2.5	15
250	90	1.1	5	0.027	3.3	20
250	115	1.4	9	0.027	4.2	25
250	130	1.6	11	0.027	4.7	30
250	150	1.8	15	0.027	5.5	35
250	180	2.2	21	0.027	6.5	40

SIZE DIA	VOLUME L/S	THROW	PA	F/A	OUTLET VEL M/S	NR
315	100	1.0	3	0.043	2.3	15
315	130	1.3	5	0.043	3.0	20
315	155	1.5	7	0.043	3.6	25
315	180	1.7	9	0.043	4.2	30
315	200	1.9	11	0.043	4.7	35
315	250	2.4	17	0.043	5.8	40

# CIRCULAR DIFFUSER WITH ADJUSTABLE PATTERN

## PERFORMANCE DATA TYPE: CC600

### Example

**Selection data:**

- Airflow rate  $q_v = 0,07 \text{ m}^3/\text{s}$
- Throw  $L_T = 1 \text{ m}$  at  $v_T = 0,50 \text{ m/s}$

**Solution:**

- Size 200 mm
- Supply air velocity  $v_k = 3,9 \text{ m/s}$
- Noise level NR 20
- Total pressure loss with damper 100% open :  $\Delta p_t = 8 \text{ Pa}$ .

### Pressure loss

