

CIRCULAR DIFFUSER WITH ADJUSTABLE PATTERN

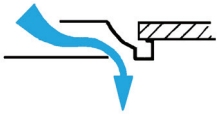
TYPE: CC600



Application

The diffuser type CC600 is used for the supply and exhaust of cooled or heated air in facilities such as offices, shopping centres, ... The diffuser can be mounted in the ceiling where high aesthetic standards are required. Adjustable air pattern (horizontally - vertically). Due to its stable air distribution, it can also be used for VAV terminal boxes.

Adjusting possibilities:

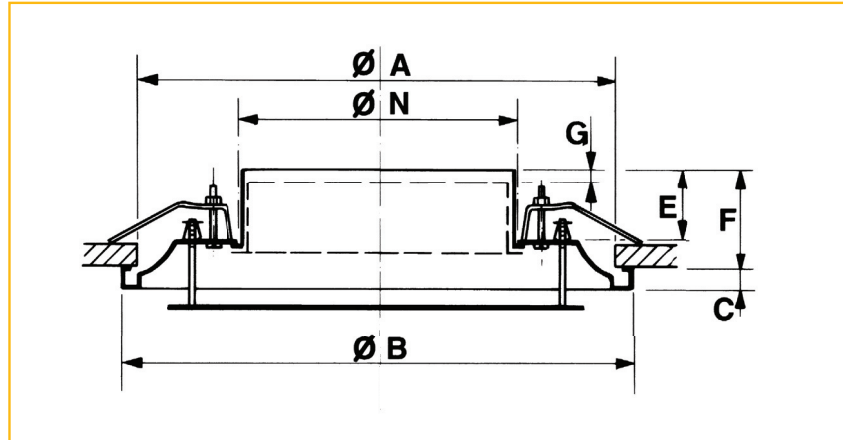


Vertical air pattern



Horizontal air pattern

Installation dimensions



Size	A	B	C	F	N	E	G
100	207	230	22	56	100	51	15
125	242	265	22	53	125	51	15
160	287	310	25	93	160	71	15
200	338	365	25	93	200	71	15
250	397	430	25	93	250	71	15
315	476	515	30	88	315	71	15

All dimensions in mm.

Specifications description

Example:

Circular diffuser with adjustable air pattern and circular top entry, complete with a telescopic damper in the diffuser neck. The diffuser is painted in white (RAL 9010)

Type: **CC601**
size ... mm

Fixing

- with 3 mounting brackets
- with screws in the diffuser neck

Options

- **CC600**: circular diffuser
- **CC601**: circular diffuser with telescopic damper

Technical information

Characteristics :

- air pattern adjustable in 5 positions (horizontally - vertically)
- removable deflector plate

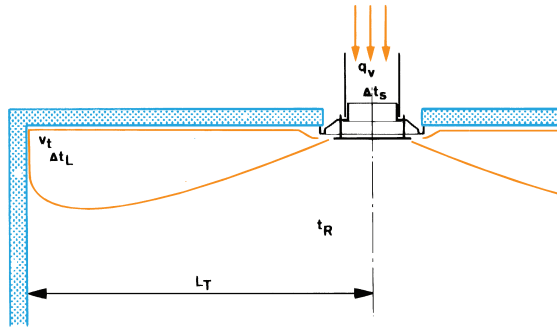
Construction:

- painted white (RAL 9010)

CIRCULAR DIFFUSER WITH ADJUSTABLE PATTERN

TYPE: CC600 • CS600 • CS500 • CS500P SELECTION TABLES

Example



Selection data:

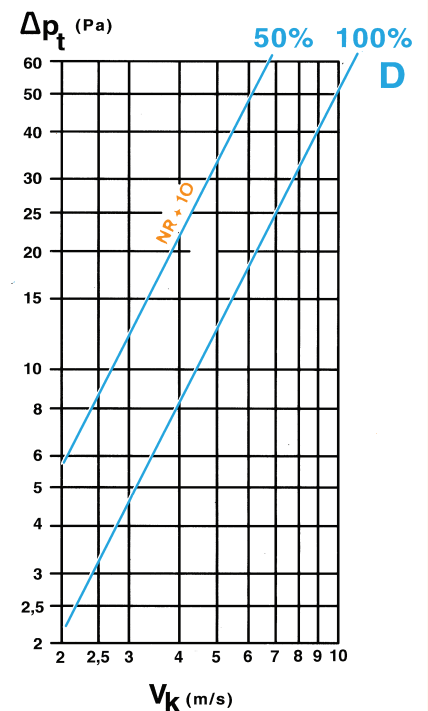
- Airflow rate $q_v = 0,07 \text{ m}^3/\text{s}$
- Throw $L_T = 1 \text{ m}$ at $v_T = 0,50 \text{ m/s}$

Solution:

- Size 200 mm
- Supply air velocity $v_k = 3,9 \text{ m/s}$
- Noise level NR 20
- Total pressure loss with damper 100% open : $\Delta p_t = 8 \text{ Pa}$.

Pressure loss

with damper



SQUARE DIFFUSER WITH ADJUSTABLE PATTERN

TYPE: CS500 • CS600

Specifications description

Example:

Square diffuser with adjustable air pattern and circular top entry, complete with a telescopic damper in the collar. The diffuser is painted in white (RAL 9010).

Type: **CS501**
size ... mm

How to order

CS500 - without damper
CS501 - with damper

Fixing

- **CS500**, for false ceiling mounting
- **CS600**, by means of 3 mounting brackets, or screws in the diffuser neck.

Possible Options

- **CS500**: for mounting in false ceilings
- **CS501**: for mounting in false ceilings with telescopic damper
- **CS600**: square diffuser for surface mounting

CC600 • CS600 • CS500 • CS500P Selection Tables

SIZE DIA	VOLUME L/S	THROW	PA	F/A	OUTLET VEL M/S	NR
100	14	0.42	6	0.0044	3.2	15
100	22	0.66	15	0.0044	5.0	20
100	28	0.84	24	0.0044	6.4	25
100	32	0.96	32	0.0044	7.3	30
100	38	1.15	45	0.0044	8.6	35
100	45	1.36	63	0.0044	10.2	40

SIZE DIA	VOLUME L/S	THROW	PA	F/A	OUTLET VEL M/S	NR
125	18	0.4	4	0.0066	2.7	15
125	32	0.8	12	0.0066	4.8	20
125	38	0.9	16	0.0066	5.7	25
125	45	1.1	23	0.0066	6.8	30
125	52	1.3	31	0.0066	7.8	35
125	60	1.5	41	0.0066	9.1	40

SQUARE DIFFUSER WITH ADJUSTABLE PATTERN

TYPE: CC600 • CS600 • CS500 • CS500P SELECTION TABLES

SIZE DIA	VOLUME L/S	THROW	PA	F/A	OUTLET VEL M/S	NR
160	30	0.6	4	0.011	2.7	15
160	35	0.9	8	0.011	4.1	20
160	55	1.0	12	0.011	5.0	25
160	65	1.2	17	0.011	5.9	30
160	75	1.4	23	0.011	6.8	35
160	90	1.7	33	0.011	8.1	40

SIZE DIA	VOLUME L/S	THROW	PA	F/A	OUTLET VEL M/S	NR
200	45	0.7	3	0.017	2.6	15
200	65	1.0	7	0.017	3.8	20
200	80	1.2	11	0.017	4.6	25
200	95	1.4	15	0.017	5.5	30
200	110	1.7	20	0.017	6.4	35
200	130	2.0	28	0.017	7.5	40

SIZE DIA	VOLUME L/S	THROW	PA	F/A	OUTLET VEL M/S	NR
250	70	0.8	3	0.027	2.5	15
250	90	1.1	5	0.027	3.3	20
250	115	1.4	9	0.027	4.2	25
250	130	1.6	11	0.027	4.7	30
250	150	1.8	15	0.027	5.5	35
250	180	2.2	21	0.027	6.5	40

SIZE DIA	VOLUME L/S	THROW	PA	F/A	OUTLET VEL M/S	NR
315	100	1.0	3	0.043	2.3	15
315	130	1.3	5	0.043	3.0	20
315	155	1.5	7	0.043	3.6	25
315	180	1.7	9	0.043	4.2	30
315	200	1.9	11	0.043	4.7	35
315	250	2.4	17	0.043	5.8	40

SQUARE DIFFUSER WITH ADJUSTABLE PATTERN

TYPE: CS500 • CS600

Specifications description

Example:

Square diffuser with adjustable air pattern and circular top entry, complete with a telescopic damper in the collar. The diffuser is painted in white (RAL 9010).

Type: **CS501**
size ... mm

Fixing

- **CS500**, for false ceiling mounting
- **CS600**, by means of 3 mounting brackets, or screws in the diffuser neck.

How to order

CS500 size 315 mm without damper

C	S	5	0	0	-	-	0	3	1	5	0	0	0	0
---	---	---	---	---	---	---	---	---	---	---	---	---	---	---

Size

0 : without damper
1 : with damper

Frame type: 5 : false ceiling mounting
6 : surface mounting

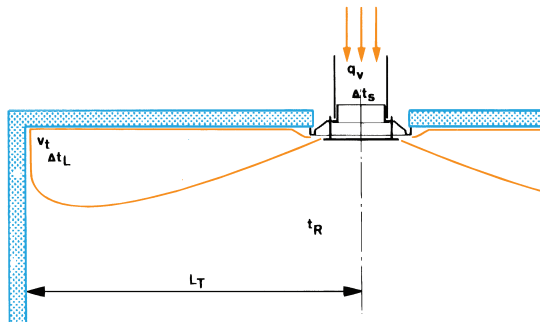
Possible Options

- **CS500**: for mounting in false ceilings
- **CS501**: for mounting in false ceilings with telescopic damper
- **CS600**: square diffuser for surface mounting
- **CS601**: square diffuser with telescopic damper for surface mounting
- **CS500P**: only false ceiling plate 594 x 594 mm for diffuser up to and including size 160 mm (diffuser to be ordered separately)
(For further details, please contact sales)

SQUARE DIFFUSER WITH ADJUSTABLE PATTERN

TYPE: CS500 • CS600

Example



Selection data:

- Airflow rate $q_v = 0,07 \text{ m}^3/\text{s}$
- Throw $L_T = 1 \text{ m}$ at $v_T = 0,50 \text{ m/s}$

Solution:

- Size 200 mm
- Supply air velocity $v_k = 4,1 \text{ m/s}$
- Noise level NR 22
- Total pressure loss with damper 100% open : $\Delta P_t = 8,5 \text{ Pa}$.

Pressure loss

with damper

