

ROUND BAR GRILLE

TYPE: CB400

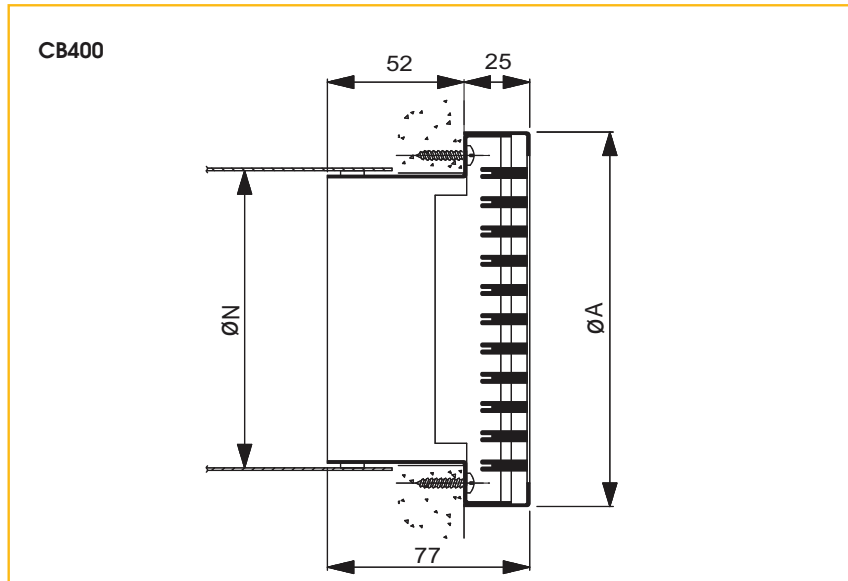
Installation dimensions



Application

The circular grille type CB400 is used for the supply and exhaust of cooled and heated air, particularly in smaller spaces such as wash-rooms, toilets, bathrooms or kitchen within housing, restaurants, retail or commercial uses.

The grille can be direct mounted on a circular duct or fixed to the wall with screws.



Size	Ø N	Ø A
100	100	160
125	125	160
160	160	200

Technical information

Characteristics:

- straight bars (CB400) or with 15° deflection (CB420)
- the grille core can be rotated to provide directional control of the air flow (CB420)
- bars on 12,5 mm to centre
- available in 3 sizes: 100, 125 and 160 mm diameter

Construction:

- extruded aluminium bar, satin anodised
- mill finish aluminium grille housing
- painted RAL colour on request
- foam sealing strip

ROUND BAR GRILLE

TYPE: CB400

Specifications description

Example:

Aluminium circular bar grille at 15° deflection for direct mounting on a circular duct with screw fixing to the wall. The grille is satin anodised.

Type : **CB420**
size ... mm

Fixing

The grille will push-fit into circular ducts. The grille can be secured to the wall by screw fixing at the back of the grille housing after removing the push-fit core retaining bezel.

Delivery possibilities

CB400

Supply and exhaust grille with fixed straight bars.

CB420

Supply and exhaust bar grille with 15° deflection

How to order

CB420, size 125 mm with a deflection of 15°

C	B	4	2	0	-	-	0	1	2	5	0	0	0	0
---	---	---	---	---	---	---	---	---	---	---	---	---	---	---

size

0: grille with straight bars
2: bar grille 15° deflection

ROUND BAR GRILLE

TYPE: CB400

Selection Table

SUPPLY

Air Velocity

v_k (m/s)			
q_v (m ³ /h)	100	125	160
30	2,2	1,4	
60	4,5	2,8	
75	5,6	3,5	
90	6,8	4,2	
130		6,0	3,3
160		7,4	4,1
210			5,4
250			6,4

EXHAUST

vk (m/s)			
q_v (m ³ /h)	100	125	160
30	2,5	1,9	
60	4,9	3,8	
75	6,1	4,7	
90	7,4	5,7	
130		8,2	3,9
160		10,1	4,8
210			6,3
250			7,5

Pressure loss

Δp_f (Pa)			
q_v (m ³ /h)	100	125	160
30	2	1	
60	9	3	
75	14	5	
90	21	8	
130		16	5
160		25	8
210			13
250			19

Δp_f (Pa)			
q_v (m ³ /h)	100	125	160
30	2	1	
60	6	3	
75	10	4	
90	14	6	
130		12	5
160		19	8
210			12
250			18

Sound power level

L_w (NR)			
q_v (m ³ /h)	100	125	160
30	14	14	
60	18	17	
75	24	18	
90	31	24	
130		32	23
160		35	26
210			33
250			36

L_w (NR)			
q_v (m ³ /h)	100	125	160
30	14	14	
60	16	15	
75	24	18	
90	31	24	
130		33	23
160		36	28
210			37
250			42

ROUND BAR GRILLE

TYPE: CB400

SUPPLY

Throw

q _v (m ³ /h)	L _T (m)		
	100	125	160
30	1,6	1,3	
60	3,3	2,6	
75	4,1	3,2	
90	4,9	3,9	
130		5,6	4,1
160		6,8	5,1
210			6,7
250			8