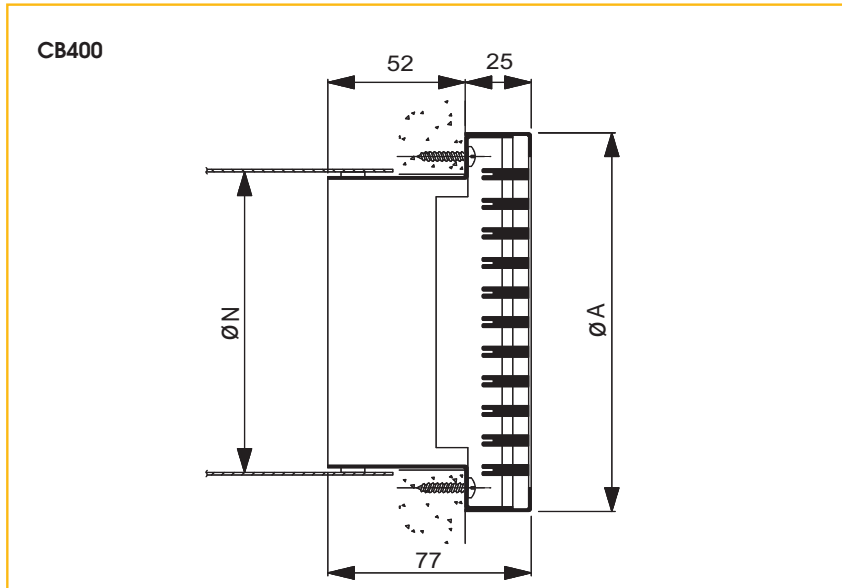


# ROUND BAR GRILLE

**TYPE: CB400**

## Installation dimensions



## Application

The circular grille type CB400 is used for the supply and exhaust of cooled and heated air, particularly in smaller spaces such as washrooms, toilets, bathrooms or kitchen within housing, restaurants, retail or commercial uses.

The grille can be direct mounted on a circular duct or fixed to the wall with screws.

Size	Ø N	Ø A
100	100	160
125	125	160
160	160	200

## Fixing

The grille will push-fit into circular ducts. The grille can be secured to the wall by screw fixing at the back of the grille housing after removing the push-fit core retaining bezel.

## Technical information

### Characteristics:

- straight bars (CB400) or with 15° deflection (CB420)
- the grille core can be rotated to provide directional control of the air flow (CB420)
- bars on 12,5 mm to centre
- available in 3 sizes: 100, 125 and 160 mm diameter

### Construction:

- extruded aluminium bar, satin anodised
- mill finish aluminium grille housing
- painted RAL colour on request
- foam sealing strip

## Specifications description

### Example:

Aluminium circular bar grille at 15° deflection for direct mounting on a circular duct with screw fixing to the wall. The grille is satin anodised.

**Type :** CB420  
size ... mm

## Delivery possibilities

### CB400

Supply and exhaust grille with fixed straight bars.

### CB420

Supply and exhaust bar grille with 15° deflection

## How to order

CB420, size 125 mm with a deflection of 15°

C	B	4	2	0	-	-	0	1	2	5	0	0	0	0
---	---	---	---	---	---	---	---	---	---	---	---	---	---	---

size

0: grille with straight bars  
2: bar grille 15° deflection

# ROUND BAR GRILLE

## TYPE: CB400

### SUPPLY

#### Air Velocity

v <sub>k</sub> (m/s)			
q <sub>v</sub> (m <sup>3</sup> /h)	100	125	160
30	2,2	1,4	
60	4,5	2,8	
75	5,6	3,5	
90	6,8	4,2	
130		6,0	3,3
160		7,4	4,1
210			5,4
250			6,4

### EXHAUST

v <sub>k</sub> (m/s)			
q <sub>v</sub> (m <sup>3</sup> /h)	100	125	160
30	2,5	1,9	
60	4,9	3,8	
75	6,1	4,7	
90	7,4	5,7	
130		8,2	3,9
160		10,1	4,8
210			6,3
250			7,5

#### Pressure loss

Δp <sub>f</sub> (Pa)			
q <sub>v</sub> (m <sup>3</sup> /h)	100	125	160
30	2	1	
60	9	3	
75	14	5	
90	21	8	
130		16	5
160		25	8
210			13
250			19

Δp <sub>f</sub> (Pa)			
q <sub>v</sub> (m <sup>3</sup> /h)	100	125	160
30	2	1	
60	6	3	
75	10	4	
90	14	6	
130		12	5
160		19	8
210			12
250			18

#### Sound power level

L <sub>w</sub> (NR)			
q <sub>v</sub> (m <sup>3</sup> /h)	100	125	160
30	14	14	
60	18	17	
75	24	18	
90	31	24	
130		32	23
160		35	26
210			33
250			36

L <sub>w</sub> (NR)			
q <sub>v</sub> (m <sup>3</sup> /h)	100	125	160
30	14	14	
60	16	15	
75	24	18	
90	31	24	
130		33	23
160		36	28
210			37
250			42

# ROUND BAR GRILLE

## TYPE: CB400

### SUPPLY

#### Throw

q <sub>v</sub> (m <sup>3</sup> /h)	L <sub>T</sub> (m)		
	100	125	160
30	1,6	1,3	
60	3,3	2,6	
75	4,1	3,2	
90	4,9	3,9	
130		5,6	4,1
160		6,8	5,1
210			6,7
250			8