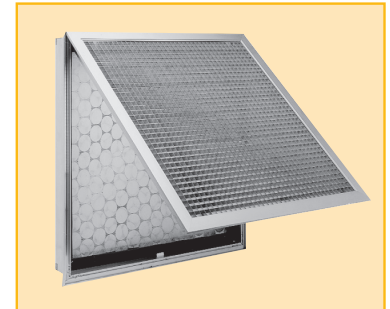
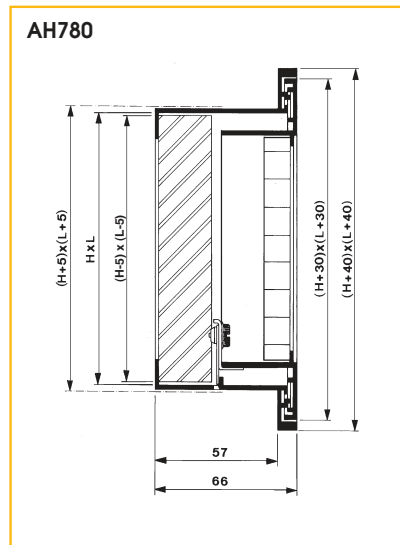
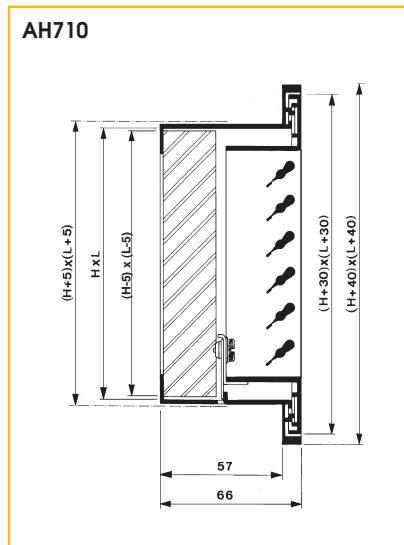


# EXHAUST GRILLE WITH FILTER FRAME

## TYPE: AH710 / 770 / 780

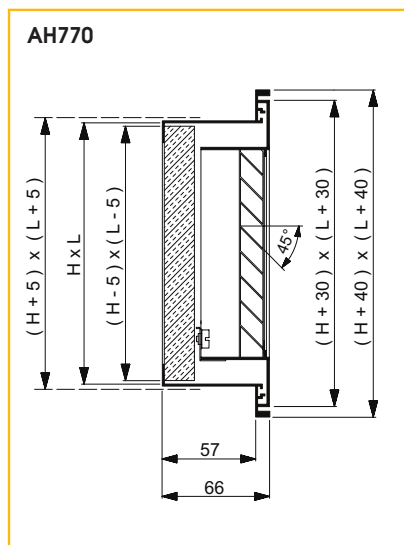
### Installation dimensions



### Application

The grille type AH710/770/780 is used for the exhaust of air in facilities such as offices, warehouses, workshops, ...

The grille can be used for wall or duct mounting in situations where the surroundings have to be safeguarded against pollution.



**Nominal dimensions**  
L = nominal length (mm)  
H = nominal height (mm)  
All dimensions in mm

### Technical information

#### Characteristics:

#### AH710:

- fixed horizontal vanes with 40° deflection
- free passage ca. 60%
- the grille is hinged to the filter frame enabling 25 mm thick filter cartridges
- available in multiples of 25 mm, as well in length as in height
- min L = 100 mm, max L = 2000 mm  
min H = 75 mm, max H = 1000 mm

#### AH770/AH780:

- grid core with square mesh (AH780) or with mesh of 45° deflection (AH770)
- links: 12,5 x 12,5 mm
- free passage ca. 85%
- the grille is hinged to the filter frame enabling 25 mm thick filter cartridges
- available in multiples of 1 mm, as well in length as in height
- min L = 100 mm, max L = 600 mm  
min H = 100 mm, max H = 1200 mm

# EXHAUST GRILLE WITH FILTER FRAME

## TYPE: AH710 / 770 / 780

### Construction:

#### AH710:

- extruded aluminium frame
- aluminium sheet vanes
- both satin anodised
- filter frame in extruded mill finish aluminium

#### AH770/AH780:

- extruded aluminium frame, satin anodised
- mill finish aluminium grid core with links of 12,5 x 12,5 mm (straight links: AH780, links 45° deflection: AH770)
- filter frame in extruded mill finish aluminium

### Specifications description

#### Example:

Aluminium exhaust grille with fixed filter frame and grid core. Natural tone anodised frame and mill finish aluminium grid core

#### Type: AH780

nom. dim. (L x H) ... x ... mm

### Accessories

A filter cartridge DUST STOP 25 mm can be delivered upon request. (standard without filter cartridge).

### Fixing

concealed screw fixing in filter frame

### Delivery possibilities

- **AH710:** aluminium grille with fixed vanes with 40° deflection
- **AH770:** aluminium grille with mill finish aluminium grid core with links of 45° deflection mesh of 12,5 x 12,5 mm
- **AH780:** aluminium grille with mill finish aluminium grid core with square mesh of 12,5 x 12,5 mm

### How to order

AH710, dimension 625 x 400 mm with fixed filterframe

#### a) Grille

A	H	7	1	0	-	-	0	6	2	5	0	4	0	0
							L					H		

- 710: with fixed blades (deflection 40°)
- 770: with grid core (45° deflection mesh of 12,5 x 12,5 mm)
- 780: with grid core (square mesh of 12,5 x 12,5 mm)
- H: grille with fixed filterframe and concealed screw fixing

#### b) Filter cartridge

F	1	3	2	5	-	-	0	6	2	0	0	3	9	5
							L					H		

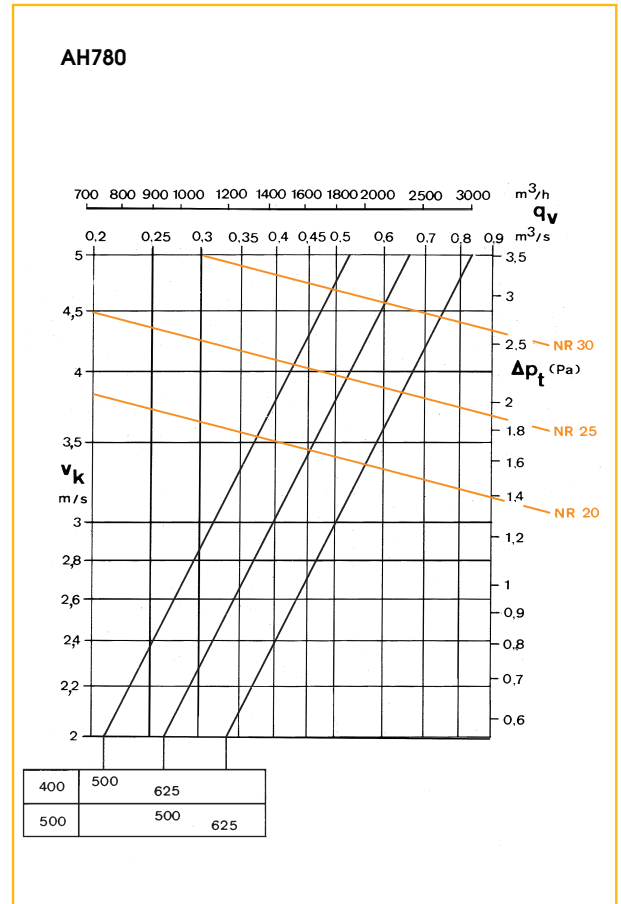
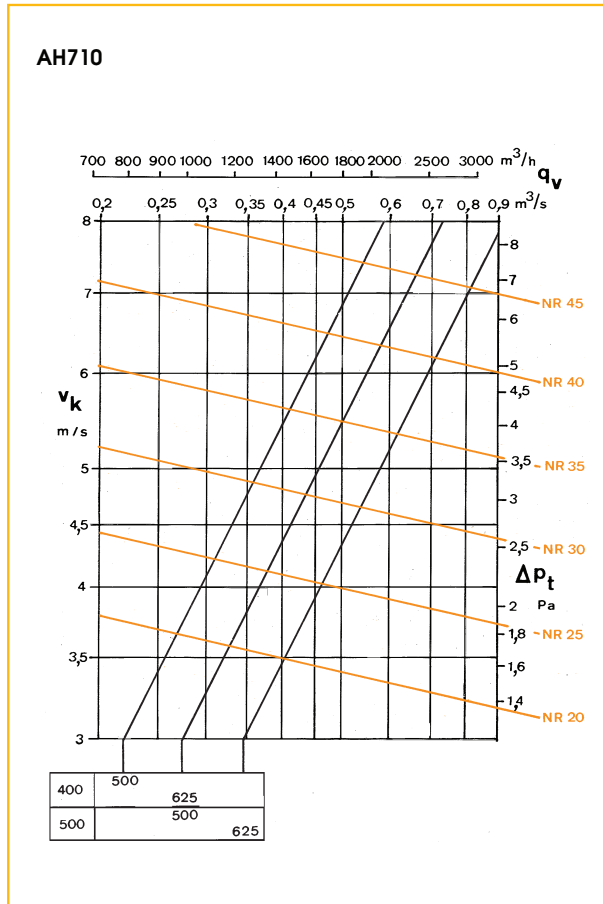
- F1225: class G2
- F1325: class G3
- F1425: class G4

**Remark: nom.dimension of the filter = nom.dimension of the grille - 5 mm (see drawing)**

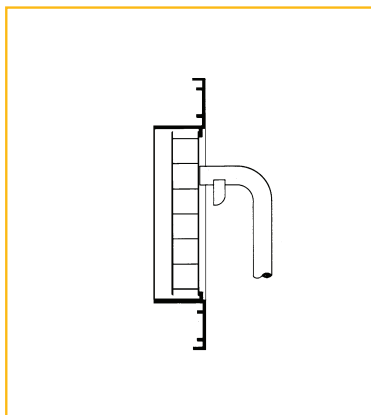
# EXHAUST GRILLE WITH FILTER FRAME

## PERFORMANCE DATA TYPE: AH710 / 770 / 780

### Selection diagram - exhaust



### Air flow rate measurements - exhaust



Velometer jet 2220 A or 6070

	A <sub>k</sub> - values (m <sup>2</sup> )		
	H	L	
		500	625
<b>A-710</b>	400	0,073	0,092
	500	0,092	0,116
<b>A-780</b>	400	0,106	0,133
	500	0,133	0,168