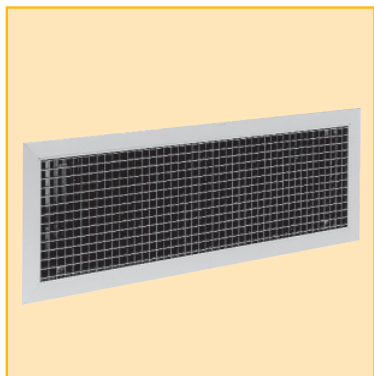


GRID CORE GRILLE

TYPE: A-770 • LCF

Installation dimensions



Application

The grille type A-770/LCF is used for the exhaust of large quantities of air with minimal pressure loss in facilities such as offices, warehouses, shopping centres, ...

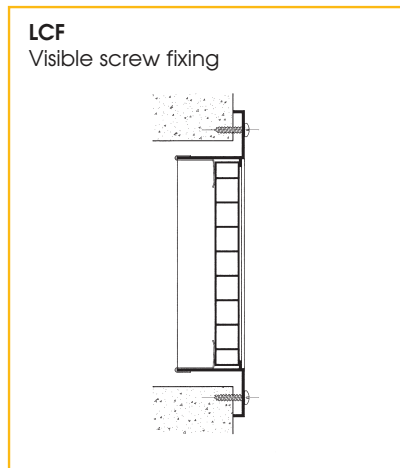
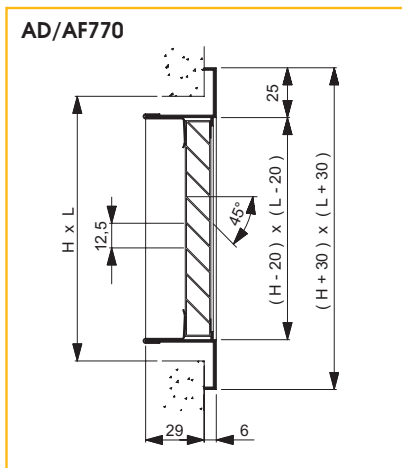
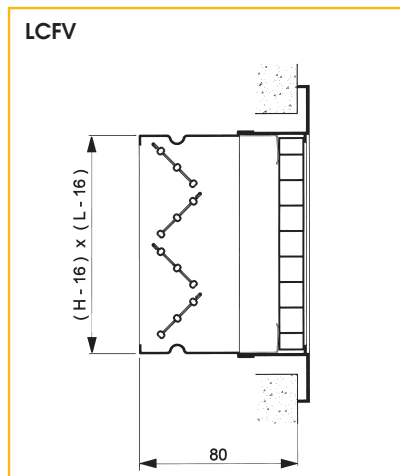
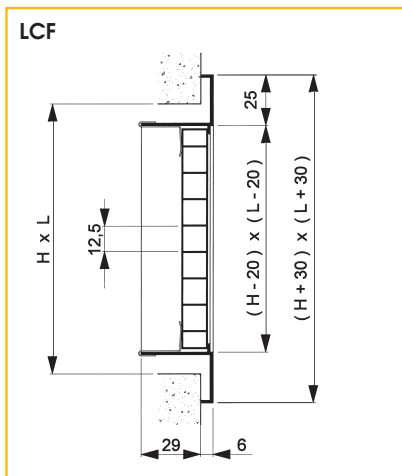
Technical information

Characteristics:

- grid core with square mesh or mesh with 45° deflection
- links: 12,5 x 12,5 mm
- free passage ca. 85%
- available in multiples of 1 mm, in height as well as in length
min L = 100 mm, max L = 600 mm
min H = 100 mm, max H = 1200 mm
(A-770) and max L = 1200 mm (LCF)
- V-Damper only available in multiples of 25 mm in height as well as in length

Construction:

- extruded aluminium frame, natural tone anodised
- mill finish aluminium grid core



Nominal dimensions:
All dimensions in mm

H = nominal height (mm)
L = nominal length (mm)

GRID CORE GRILLE

TYPE: A-770 • LCF SELECTION DATA

VOL M3/S	WIDTH MM	HEIGHT MM	FACE VELOCITY M/S	P.A	NR
0.017	150	150	1	2	10
0.025	150	150	1.5	3	15
0.034	150	150	2	6	20
0.042	150	150	2.5	10	25
0.051	150	150	3	14	30
0.059	150	150	3.5	18	35
0.068	150	150	4	26	40
0.085	150	150	5	38	45

VOL M3/S	WIDTH MM	HEIGHT MM	FACE VELOCITY M/S	P.A	NR
0.032	200	200	1	2	10
0.049	200	200	1.5	3	15
0.065	200	200	2	6	20
0.081	200	200	2.5	10	25
0.097	200	200	3	14	30
0.113	200	200	3.5	18	35
0.130	200	200	4	26	40
0.162	200	200	5	38	45

VOL M3/S	WIDTH MM	HEIGHT MM	FACE VELOCITY M/S	P.A	NR
0.050	300	200	1	2	10
0.076	300	200	1.5	3	15
0.101	300	200	2	6	20
0.126	300	200	2.5	10	25
0.151	300	200	3	14	30
0.176	300	200	3.5	18	35
0.202	300	200	4	26	40
0.252	300	200	5	38	45

VOL M3/S	WIDTH MM	HEIGHT MM	FACE VELOCITY M/S	P.A	NR
0.036	300	150	1	2	10
0.055	300	150	1.5	3	15
0.073	300	150	2	6	20
0.091	300	150	2.5	10	25
0.109	300	150	3	14	30
0.127	300	150	3.5	18	35
0.146	300	150	4	26	40
0.182	300	150	5	38	45

GRID CORE GRILLE

TYPE: A-770 • LCF SELECTION DATA

VOL M3/S	WIDTH MM	HEIGHT MM	FACE VELOCITY M/S	P.A	NR
0.068	400	200	1	2	10
0.103	400	200	1.5	3	15
0.137	400	200	2	6	20
0.171	400	200	2.5	10	25
0.205	400	200	3	14	30
0.239	400	200	3.5	18	35
0.274	400	200	4	26	40
0.342	400	200	5	38	45

VOL M3/S	WIDTH MM	HEIGHT MM	FACE VELOCITY M/S	P.A	NR
0.087	400	250	1	2	10
0.131	400	250	1.5	3	15
0.175	400	250	2	6	20
0.219	400	250	2.5	10	25
0.262	400	250	3	14	30
0.306	400	250	3.5	18	35
0.350	400	250	4	26	40
0.437	400	250	5	38	45

VOL M3/S	WIDTH MM	HEIGHT MM	FACE VELOCITY M/S	P.A	NR
0.110	500	250	1	2	10
0.166	500	250	1.5	3	15
0.221	500	250	2	6	20
0.276	500	250	2.5	10	25
0.331	500	250	3	14	30
0.386	500	250	3.5	18	35
0.442	500	250	4	26	40
0.552	500	250	5	38	45

VOL M3/S	WIDTH MM	HEIGHT MM	FACE VELOCITY M/S	P.A	NR
0.162	600	300	1	2	10
0.244	600	300	1.5	3	15
0.325	600	300	2	6	20
0.406	600	300	2.5	10	25
0.487	600	300	3	14	30
0.568	600	300	3.5	18	35
0.650	600	300	4	26	40
0.812	600	300	5	38	45

GRID CORE GRILLE

TYPE: A-770 • LCF SELECTION DATA

VOL M3/S	WIDTH MM	HEIGHT MM	FACE VELOCITY M/S	P.A	NR
-0.296	800	400	1	2	10
0.445	800	400	1.5	3	15
0.593	800	400	2	6	20
0.741	800	400	2.5	10	25
0.889	800	400	3	14	30
1.038	800	400	3.5	18	35
1.186	800	400	4	26	40
1.482	800	400	5	38	45

VOL M3/S	WIDTH MM	HEIGHT MM	FACE VELOCITY M/S	P.A	NR
0.470	1000	500	1	2	10
0.706	1000	500	1.5	3	15
0.941	1000	500	2	6	20
1.176	1000	500	2.5	10	25
1.411	1000	500	3	14	30
1.646	1000	500	3.5	18	35
1.882	1000	500	4	26	40
2.352	1000	500	5	38	45

VOL M3/S	WIDTH MM	HEIGHT MM	FACE VELOCITY M/S	P.A	NR
0.684	1200	600	1	2	10
1.027	1200	600	1.5	3	15
1.369	1200	600	2	6	20
1.711	1200	600	2.5	10	25
2.053	1200	600	3	14	30
2.395	1200	600	3.5	18	35
2.738	1200	600	4	26	40
3.422	1200	600	5	38	45